

Age Range: 3 and up
 Weight Limit: 65 lbs.
 Surfaces: Grass/Asphalt/
 Other Hard Surfaces
 Speed: 3.5 For/Rev
 Colors: Purple Wheels/Pink
 Body/Periwinkle Seat
 Intro: 2009
 Suggested Retail: 169.99
 Box Dimensions:
 40.250 x 24.875 x 19.188
 51 lbs.
 Warranty One Year Vehicle
 6 Months Battery

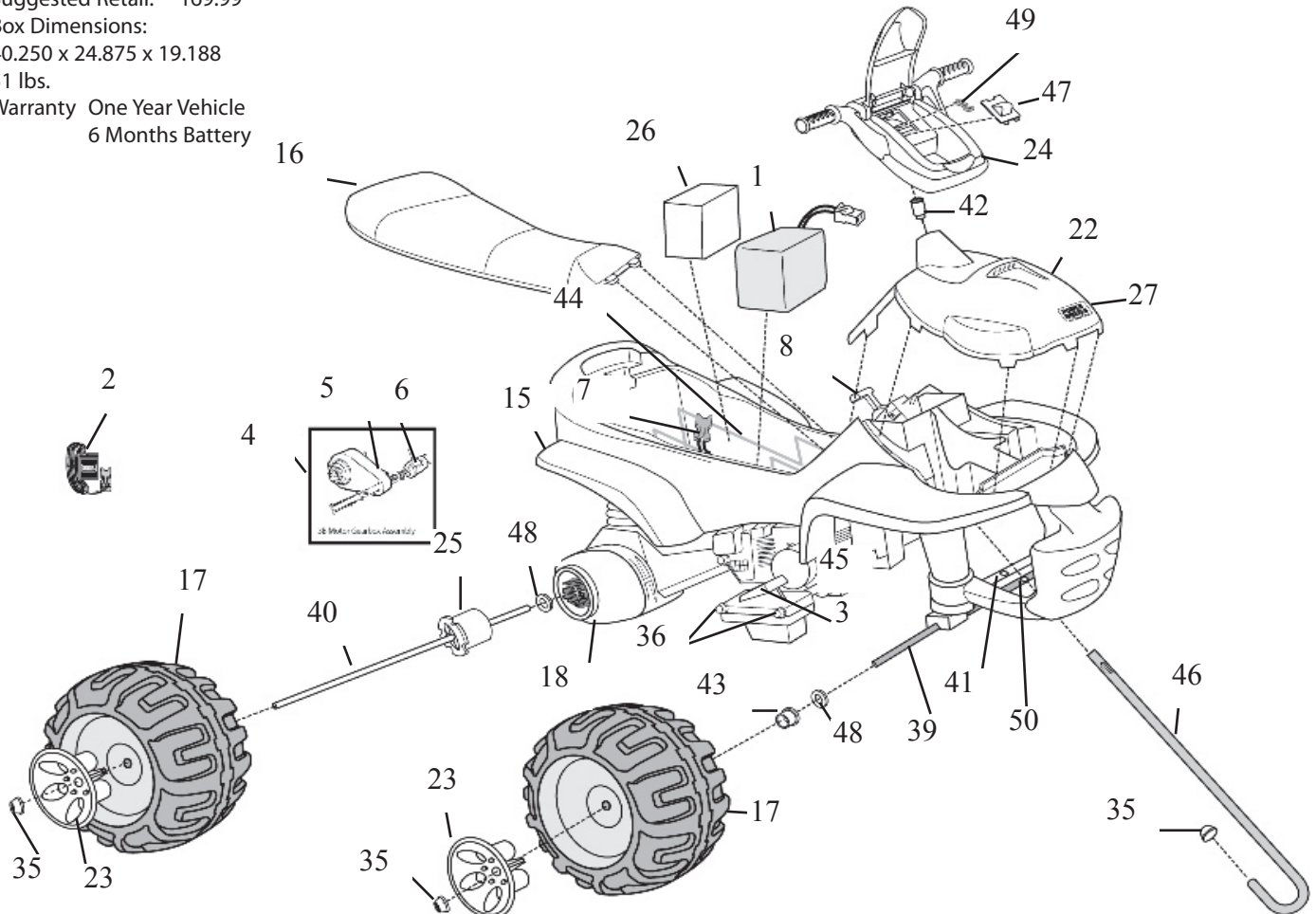


R1502

Princess Trail Rider- TRU

Preschool Series Super 6V

11/02/09



Item No.	Description	Part No.	Qty.	Item No.	Description	Part No.	Qty.	Item No.	Description	Part No.	Qty.
<u>Working / Electrical Parts</u>				<u>Hardware / Metal Parts</u>				<u>Cap Nut Tool</u> 00801-1567 1			
1.	Super 6V Battery	00801-0712	1	35.	.437 Cap Nut	00801-1621	5	6 x 3/4 Screw	0912-6004	20	1
2.	Super 6V Charger	00801-1481	1	36.	.354 Cap Nut	0801-0604	6	8 x 3/4 Screw	0912-8001	12	1
3.	Footboard Assembly	R1502-9169	1	39.	Front Axle	R1502-4509	1	False Motor Cover Left	R1502-2069	1	1
4.	Motor Gearbox Assembly	74180-95192	1	40.	Rear Axle	R1502-4509	1	Motor Housing Top N/A	73690-2149	2	2
5.	Gearbox W/out Motor	74550-9279	2	41.	Crossbar	73690-4649	1	Motor Housing Bottom N/A	73690-2159	2	2
6.	Motor Pinion Assembly	74580-9539	2	42.	Steering Bushing	78476-2259	1	Shifter Assy. w/harness	B2008-9509	1	1
7.	Main Harness Assembly	78476-9799	1	43.	Round Bushing	74550-2689	2	Brushguard	J7826-2079		
8.	Shifter Assembly	78457-9539	1	44.	Battery Retainer	74110-4429	1	Metal Neck	73690-4289		
<u>Plastic / Other Parts</u>				<u>Parts Not Shown</u>				Center Hub H4433-2429			
15.	Body	N/A	1	45.	Footboard Support	76262-4439	2	Rear Boot Shock	R1502-2089		
16.	Seat	R1502-2309	1	46.	Steering Column	7826-4019	1	Left Hand Grip	R1502-2229		
17.	Wheel	R1502-2469	4	47.	Handlebar Plate	J7826-2209	1	Upper Bushing	74110-2129		
18.	False Motor Cover Right	R1502-2059	1	48.	7/16 Washer	0801-0196	4	Bottom Bushing	74110-2639		
22.	Cowling	3800-8943	1	49.	Cotter Pin	00801-1593	1	8 x 3/4 screw (steering cap)	00801-1621		1
23.	Hubcap	R1502-2579	4	50.	Steering Linkage	74110-9239	1				
24.	Handlebar	J7826-9809	1								
25.	Rear Wheel Driver	76960-2249	2								
26.	Foam Spacer	75560-0400	1								
27.	PW Emblem	00801-1503	1								
				Switch Control (Rocker) 00801-1756 1							
				Footswitch (Plunger Type) 00801-1566 1							
				Adhesive Clip (harness) 0801-0313 1							

N/A = Not Available **Bold and Underlined Parts are to be purchased and installed by Service Centers only. These items may not be sold directly to consumers by Service Centers or Fisher-Price.**