

Age Range: 3 and up
 Weight Limit: 65 lbs.
 Surfaces: Grass/Asphalt/
 Other Hard Surfaces
 Speed: 3.5 For/Rev
 Colors: Black Wheels/Black
 Body/Blue Seat
 Intro: 2008
 Suggested Retail: 219.99
 Box Dimensions:
 40.250 x 24.875 x 19.188
 51 lbs.
 Warranty One Year Vehicle
 6 Months Battery

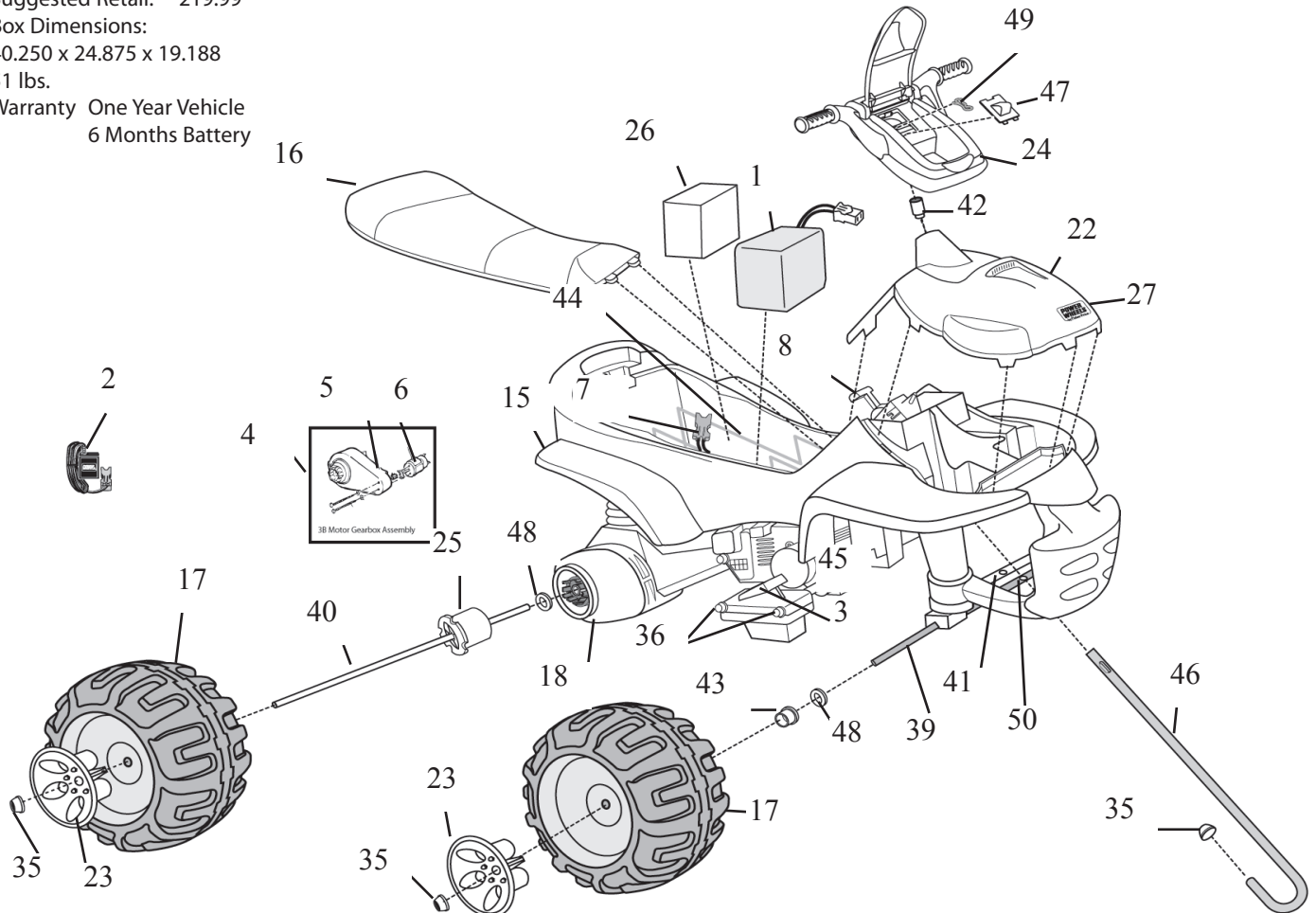


P8990

Batman Trail Rider- TRU

Preschool Series Super 6V

02/12/09



Item No.	Description	Part No.	Qty.	Item No.	Description	Part No.	Qty.	Item No.	Description	Part No.	Qty.	
Working / Electrical Parts				Hardware / Metal Parts				Cap Nut Tool 78640-2629 1				
1.	Super 6V Battery	00801-0712	1	35.	.437 Cap Nut	0801-0226	5	6 x 3/4 Screw	0912-6004	20		
2.	Super 6V Charger	00801-1481	1	36.	.354 Cap Nut	0801-0548	6	8 x 3/4 Screw	0912-8001	12		
3.	Footboard Assembly	P8990-9169	1	39.	Front Axle	73690-4509	1	False Motor Cover Left	73690-2069	1		
4.	Motor Gearbox Assem	74180-9519	2	40.	Rear Axle	73690-4549	1	Motor Housing Top N/A	73690-2149	2		
5.	Gearbox W/out Motor	74550-9279	2	41.	Crossbar	73690-4649	1	Motor Housing Bottom N/A	73690-2159	2		
6.	Motor Pinion	74580-9539	2	42.	Steering Bushing	P8990-2259	1	Shifter Assy. w/harness	74310-9239	1		
7.	Main Harness Assembly	78476-9799	1	43.	Round Bushing	74550-2689	2	Brushguard for Batman Trailrider P8990-2079	1	3800-8815		
8.	Shifter Assembly	74310-9239	1	44.	Battery Retainer	74110-4429	1	Headlight Housing	3800-8815			
Plastic / Other Parts				Parts Not Shown				Handgrip B9785-2489 2				
15.	Body	N/A	1	Parts Bag		P8990-9269	1	Upper Bushing	74110-2129	2		
16.	Seat	P8990-2309	1	Hardware Bag		C7478-9289	1					
17.	Wheel	73690-2469	4	Owners Manual		P8990-0920	1					
18.	False Motor Cover Right	N/A	1	Decal Sheet		P8990-0310	1					
22.	Cowling w/logo	P8990-9099	1	Switch Control (Shifter)		00801-1756	1					
23.	Hubcap	P8990-2579	4	Footswitch (Plunger Type)		00801-0933	1					
24.	Handlebar	3800-8355	1	Adhesive Clip (harness)		0801-0313	1					
25.	Wheel Driver	74460-2249	2									
26.	Foam Spacer	75560-0400	1									
27.	PW Emblem	00801-1503	1									

N/A = Not Available **Bold and Underlined Parts are to be purchased and installed by Service Centers only. These items may not be sold directly to consumers by Service Centers or Fisher-Price.**