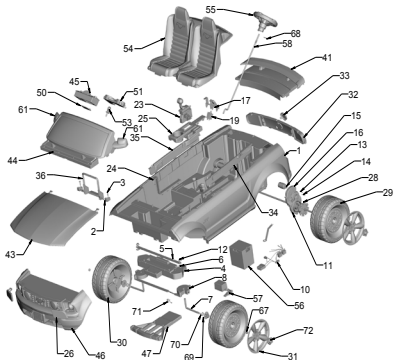


P6827
GIRLS FORD MUSTANG
12 VOLT ADVANCED SERIES

Age Range:	3-7 Years
Weight Limit:	130 lbs.
Surfaces:	Hard and Grass
Speed:	2.5 MPH Forward/Reverse 5.0 MPH Forward
Colors:	Pink Body, Black Wheels
Intro:	2008
Suggested Retail:	\$249.99
Box Dimensions:	30.9 X 18.4 X 51.8 96 LBS
Warranty:	One Year Vehicle Six Months Battery



ITEM	PART #	DESCRIPTION	QTY	ITEM	PART #	DESCRIPTION	QTY
1	N/A	BODY	1 EA	35	N/A	RIGHT INSIDE DOOR	1 EA
2	N/A	PIVOT RETAINER	2 EA	36	3800-7809	BATTERY RETAINER	1 EA
3	N/A	SCREW, SELF TAPPING	6 EA	41	P6827-2839	REAR SPOILER	1 EA
4	P6827-2119	FRONT MODULE	1 EA	43	P6827-9459	HOOD ASSY.	1 EA
5	J4390-4009	CROSS BAR LOWER	1 EA	44	P6827-9709	WINDSHIELD ASSY.	1 EA
6	0801-0196	7/16 FLAT WASHER	2 EA	45	J4390-9619	SOUNDBOX ASSY.	1 EA
7	J4390-4509	FRONT AXLE	2 EA	46	P6827-9809	FRONT BUMPER	1 EA
8	J4390-9159	STEERING LINKAGE ASSY.	1 EA	47	P6827-2829	FRONT BUMPER SUPPORT	2 EA
10	J4390-9799	MAIN WIRING HARNESS	1 EA	50	N/A	BATTERY DOOR ASSY	1 EA
11	90968-2801	GEARBOX ASSY.	1 EA	51	N/A	SOUNDBOX COVER	1 EA
12	0801-0226	.437 CAP NUT	2 EA	53	J4390-2649	KEY	1 EA
13	90801-0198	M3-5 X 32MM NYLOK SCREW	2 EA	54	P6827-9759	SEAT ASSY.	1 EA
14	N/A	M3-5 X 32 MM SLOT ROUND SCRF	1 EA	55	J4390-9769	STEERING WHEEL ASSY.	1 EA
15	90968-2707	MOTOR PINION ASSY.	2 EA	56	00801-1460	12V BATTERY	1 EA
16	90968-2918	MTGBX ASSY.	2 EA	57	00801-1480	12V PROBE CHARGER	1 EA
17	P6827-9309	FOOTBOARD ASSY	2 EA	58	J4390-4409	STEERING COLUMN	1 EA
19	90801-1756	SWITCH-ROCKER	1 EA	61	3800-8895	RIGHT/LEFT MIRROR HOUSING/COVERS	1 EA
23	J4390-9209	SHIFTER ASSY.	1 EA		N/A	3/8"-16 LOCK NUT	2 EA
24	J6827-2259	WIRE COVER	1 EA	67	00905-0116	5/32-X 1 1/2 PIN	1 EA
25	N/A	CENTER CONSOLE	1 EA	68	0801-1565	BUSHING	2 EA
26	SEE # 46	HEADLIGHT COVER	2 EA	69	B9785-2229	WASHER	2 EA
28	J4390-2269	DRIVER	2 EA	70	0801-0196	STEERING COLUMN CAP	1 EA
29	J4390-2279	LEFT WHEEL	2 EA	71	00801-1620	HUBCAP CENTER	4 EA
30	J4390-2289	RIGHT WHEEL	2 EA	72	J4390-2329		4 EA
31	J4390-6319	HUB CAP	4 EA				
32	3800-8228	TAILLIGHT ASSY.	4 EA				
33	N/A	GAS CAP	1 EA				
34	N/A	LEFT INSIDE DOOR	1 EA				

1/21/2009

PARTS NOT SHOWN

J4390-4519	REAR AXLE	1
P6827-9249	PARTS BAG	1
J4390-9269	HARDWARE BAG	1
J4390-2479	EXHAUST PIPE RIGHT	1
J4390-2909	EXHAUST PIPE LEFT	1
L6349-5339	SEATBELT SET	1
00801-1567	ASSEMBLY TOOL (WRENCH)	1

PARTS NOT SHOWN

J4390-2789	STEERING WHEEL CAP	1
P6827-0310	MAIN DECAL	1
00801-1518	PW EMBLEM	1
P6827-0920	MANUAL	1
90801-1566	FOOTSWITCH	1

Bold and underlined parts are to be purchased and installed by Service Centers only. These items may not be sold directly to consumers by Service Centers or Fisher-Price.