

Age Range: 1 3
Weight Limit: 40 lbs.
Surfaces: Asphalt/Hard Surfaces
Speed: 2.0 Forward
Colors: Green Body/
 Orange Seat/Black
 Wheels

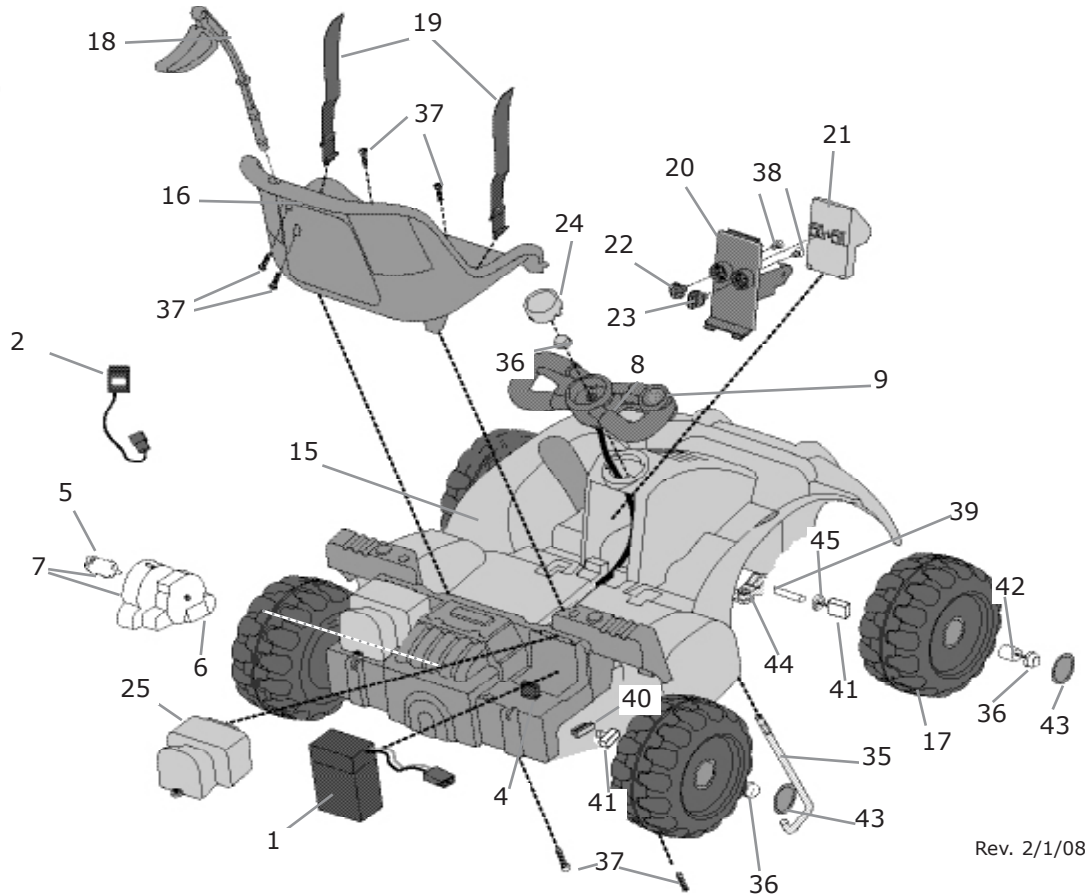


M5130 Get Set Go! Kart Toddler Series

Intro: 2007
Suggested Retail:
 \$99.99

Box Dimensions:
 11.375 x 24.375 31.750
 18 lbs.

Warranty
 One Year Vehicle
 6 Months Battery



Rev. 2/1/08

| Item No. | Description | Part No. | Qty. Item | Part | No. Qty. | Description | No. |
|-----------------------------------|-------------------------------|-------------------|-------------------------------|----------------------|-------------------------|-------------|-----|
| Working / Electrical Parts | | | Hardware / Metal Parts | | | | |
| 1. | 6V, 4 amp Battery | 00801-1457 | 1 | 35. | Steering Column | 76790-4539 | 1 |
| 2. | 6V, 4 amp Charger | 00801-1483 | 1 | 36. | .354 Cap Nut | 0801-0693 | 6 |
| 4. | Wiring Harness | 76790-9699 | 1 | 37. | 8 x 3/4 Screw | 00912-8001 | 6 |
| 5. | Motor Pinion | 00968-3700 | 1 | 38. | 6 x 3/8 Screw | N/A | 2 |
| 6. | Gearbox #10 | 00968-3800 | 1 | (Order Hardware Bag) | | | |
| 7. | Motor Gearbox Assy | 00968-3900 | 1 | 39. | Front Axle | 76790-4519 | 2 |
| 8. | Steering Wheel Assy w/Harness | M5130-9209 | 1 | 40. | Bushing w/Out Ext, Rect | 74504-2549 | 2 |
| 9. | Switch | 00801-1222 | 1 | 41. | Bushing w/Ext. Rect | 78560-2659 | 2 |
| Plastic / Other Parts | | | Parts Not Shown | | | | |
| 15. | Vehicle Frame | N/A | 1 | Large Parts Bag | | | |
| 16. | Seat | M5130-2149 | 1 | Hardware Bag | | | |
| 17. | Wheel | 76790-2119 | 4 | Owner's Manual | | | |
| 18. | Flag | M5130-2269 | 1 | Decal Sheet | | | |
| 19. | Seat Belt Set | 75547-5519 | 1 | Rear Axle | | | |
| 20. | Sound Box Cover | M5130-2239 | 1 | Emblem | | | |
| 21. | Sound Box | G4815-9359R | 1 | Motor Cover | | | |
| 22. | Sound Knob | M5130-2259 | 1 | Cable Tie | | | |
| 23. | Key Knob | M5130-2249 | 1 | | | | |
| 24. | Steering Wheel Cap | M5130-2229 | 1 | | | | |
| 25. | Rear Bumper Cover | 76790-2139 | 2 | | | | |

N/A = Not Available

Bold and Underlined parts are to be purchased and installed by Service Centers only. These items may not be sold directly to consumers by Service Centers or Fisher-Price.