

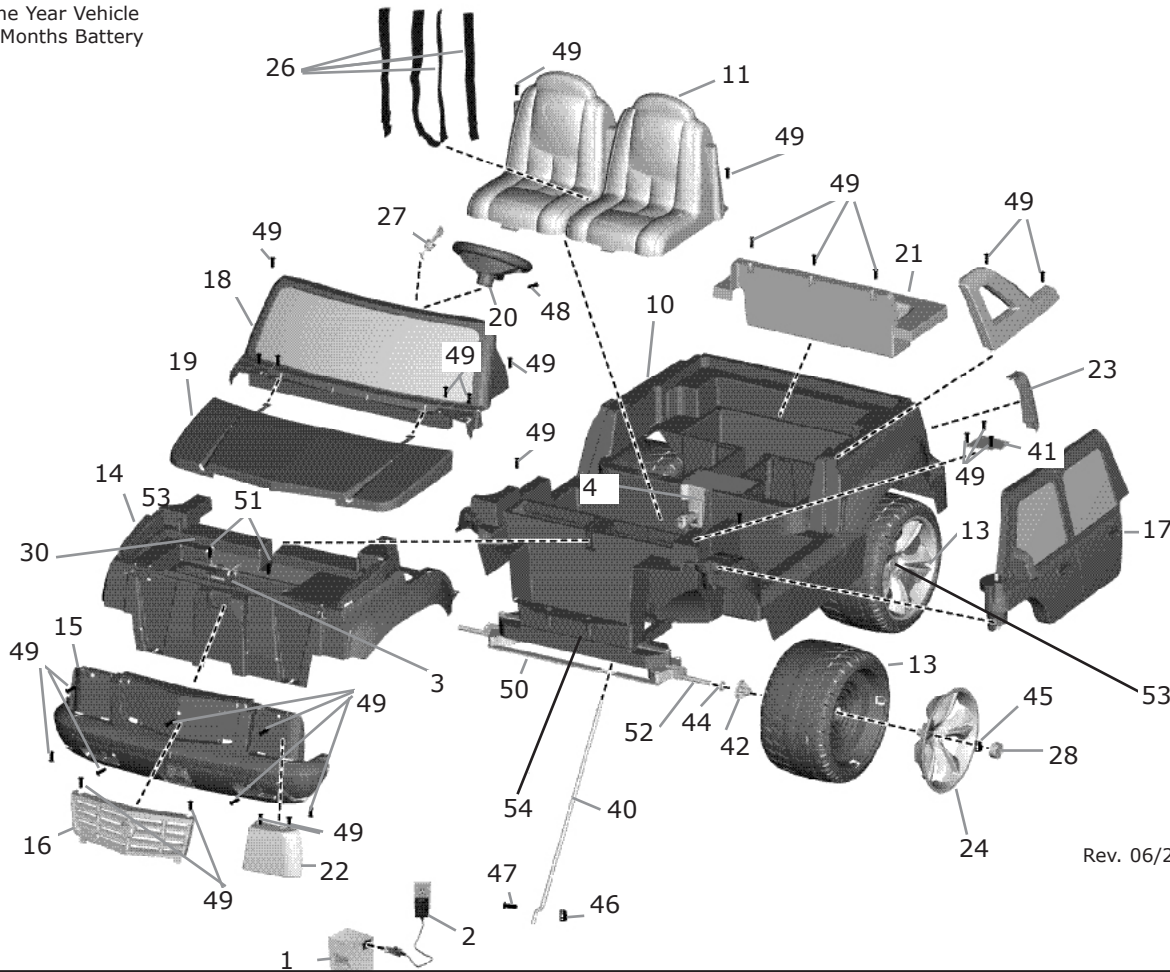
Age Range: 3 and up
 Weight Limit: 130 lbs.
 Surfaces: Grass/
 Asphalt/Hard Surfaces
 Speed: 2.5 For/Rev
 5.0 For
 Colors: Green Body/Black
 Wheels
 Intro: 2007
 Suggested Retail: \$289.99
 Box Dimensions:
 24.880 x 35.00 x 51.000
 96 lbs.
 Warranty One Year Vehicle
 6 Months Battery



L7824

Cadillac Escalade Refresh

12V Advanced Series



Rev. 06/26/08

Item No.	Description	Part No.	Qty.	Item No.	Description	Part No.	Qty.	Item No.	Description	Part No.	Qty.
Working / Electrical Parts				27.	Key Assembly	H0440-9049	1	53.	.437 Cap Nut	0801-0226	4
1.	12V Battery	00801-1460	1	28.	Hubcap	G3740-2429	4	54.	Front Module	L7824-2309	1
2.	12V Charger w/Probe	00801-1480	1	30. Radio w/ batt cover)				Parts Not Shown			
3.	Harness Assy	H0440-9799	1	H0438-9329 1				Parts Bag			
4.	Shifter Assembly	H0440-9159	1	(Radio Replaceable By Consumer By				Hardware Bag			
Plastic / Other Parts				Ordering Part #18 Windshield/Dash/Radio)				Owners Manual			
10.	Body	N/A	1	Hardware / Metal Parts				Decal Sheet			
11.	Seat	L7824-2659	1	40.	Steering Column	H0440-4479	1	Switch (Shift/Rocker) 00801-0923 1			
13.	Left Wheel	G3740-2409	2	41.	Door Plate	3800-8060	2	Footswitch (Plunger) 00801-1566 1			
14.	Front End w/clip	N/A	1	42.	Bushing	B9785-2229	2	Footboard Assy.			
15.	Bumper	L7824-9359	1	44.	7/16 Washer	0801-0196	2	Motor w/Pinion 00968-2701 2			
16.	Grille	H0440-6379	1	45.	3/8-16 Lock Nut	00905-0116	2	Gearbox 00968-2815 2			
17.	Door (Left)	L7824-9729	1	46.	8-32 Lock Nut	N/A	1	Mtr Gr Box Assy 00968-2931 2			
18.	Windshield/Dash/Radio	L7824-9639	1	(Order Hardware Bag)				Door (Right)			
19.	Hood	L7824-2619	1	47.	8-32 x 3/4 Screw	N/A	1	Channel Cover			
20.	Steering Wheel	H0440-9089	1	(Order Hardware Bag)				Battery Life Indicator			
21.	Truck Bed	N/A	1	48.	6 x 1 1/2 Screw	N/A	1	Right Wheel			
22.	Headlights Bagged	3800-7897	1	(Order Hardware Bag)				Rear Axle			
23.	Taillights Bagged	3800-7898	1	49.	8 x 3/4 Screw	00913-8001	36	Lower Crossbar			
24.	Wheel Cover	G3740-6439	4	50.	Steering Linkage	H0440-9429	1	Driver			
26.	Seatbelt Set	74440-5349	1	51.	1/4 x 1 1/4 Screw	N/A	2	Assembly Tool (Wrench)			
				(Order Hardware Bag)				Hi-Speed Lock-Out Screw			
				52.	Front Axle	H0440-4539	2	Steering Column Cap			
								Steering Wheel Cap			

Bold and Underlined parts are to be purchased and installed by Service Centers only. These items may not be sold directly to consumers by Service Centers or Fisher-Price.