

Age Range: 3 and up
Weight Limit: 130 lbs.
**Surfaces: Grass/
 Asphalt & Other Hard
 Surfaces**
Speed:
 2.5 For/Rev



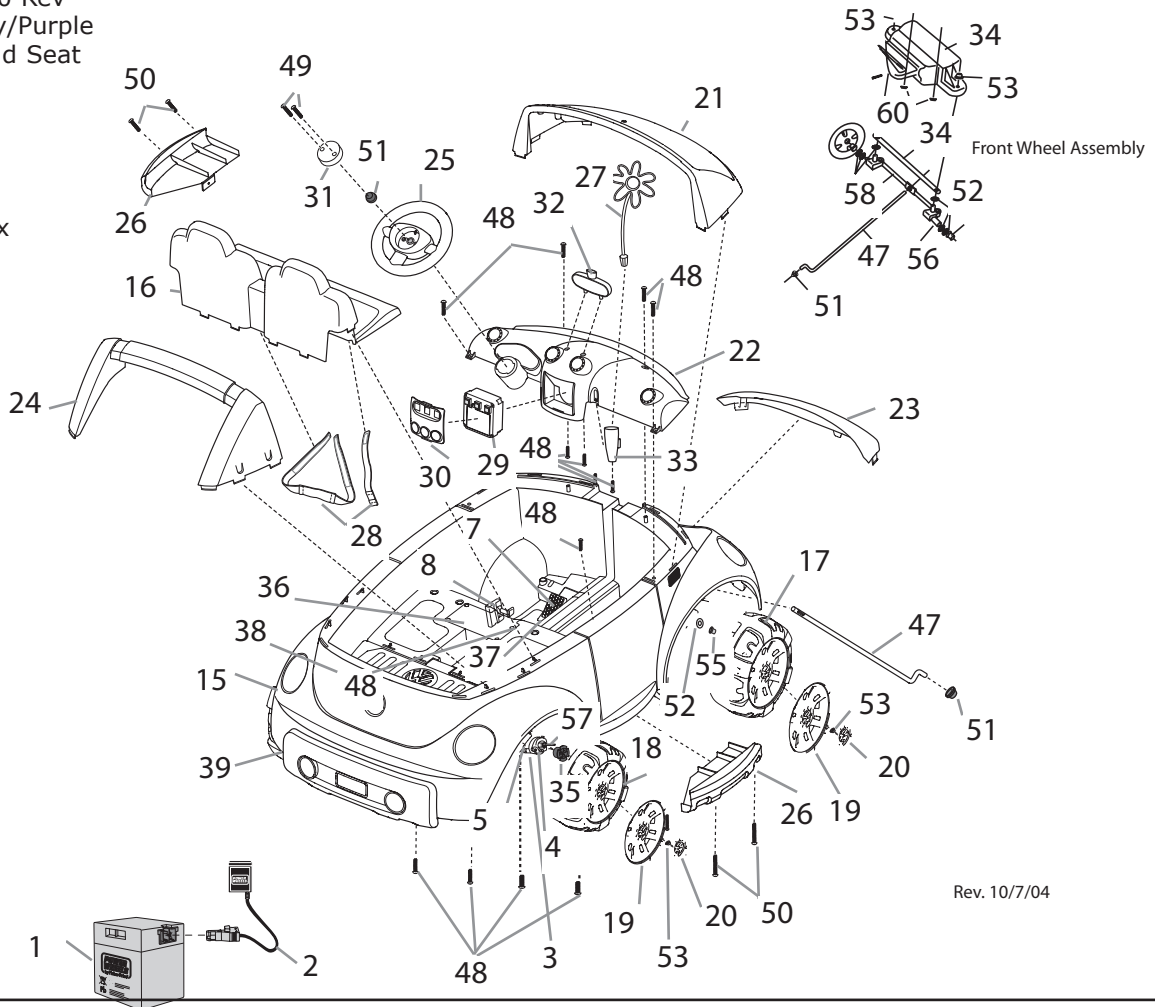
H0150

Barbie Volkswagen
 Dune New Beetle

12V Advanced Series

5.0 Rev
 Colors: Aqua Body/Purple
 Wheels and Seat

Intro: 2004
 Suggested Retail:
 248.88
 Box Dimensions:
 20.125 x 34.750 x
 54.500
 60 lbs



Item No.	Description	Part No.	Qty. Item	Part	No. Qty.	Description	No.
Working / Electrical Parts							
1.	Single 12V Battery	00801-0638	1	H0150-9169	1	(Order Hardware Bag)	
2.	12V Charger w/Probe	00801-0972	1			51. .354 Cap Nut	0801-0604 2
3.	Motor Gearbox Assembly00968-2913		2			52. 7/16" Washer	0801-0196 4
4.	Gearbox W/out Motor00968-2809		2			53. .437 Cap Nut	0801-0226 4
5.	Motor Pinion Assembly00968-2703		2			55. 7/16 Round Bushing	74550-2689 2
7.	Footboard Assembly	H0150-9389	1			56. Front Axle	75890-4509 2
8.	Shifter Assembly	B3162-9339D	1			57. Rear Axle	75890-4519 1
27.	Flower		1	B3162-2609	1	58. Steering Linkage Assembly	B3162-9419D 1
28.	Seat Belt Set		1	H0150-5339	1	60. Front Module Machine Screw	N/A 2
29.	Sound Box		1	B3162-9559	1	Hardware / Metal Parts	
30.	Sound Box Cover		1	H0150-2269	1	47. Steering Column	75890-4239 1
31.	Steering Wheel Cap		1	73517-2739	1	48. # 8 x 3/4" Screw	0912-8001 14
32.	Mirror		1	3800-7454	1	49. # 6 X 1" Screw N/A	00801-1260 2
33.	Vase		1	B3162-2619	1	(Order Hardware Bag)	
34.	Front Module w/Cross Bars		1	3800-7451	1	50. # 8 x 1 3/4" Screw	N/A0405-0273 4
Plastic / Other Parts							
15.	Body	N/A	1			Parts Not Shown	
16.	Seat	H0150-2309	1			Large Parts Bag	H0150-9259 1
17.	Front Wheel	H0150-2459	2			Hardware Bag	B3162-9289 1
18.	Rear Wheel	H0150-2469	2			Owner's Manual	H0150-0920 1
19.	Hubcap	H0150-2579	4			Main Decal Sheet	H0150-0300 1
20.	Center Hubcap	H0150-2589	4			Prismatic Decal Sheet	H0150-0310 1
21.	Windshield	H0150-9409	1				
22.	Dash	H0150-2129	1				
23.	Hood	3800-7450	1				
24.	Roll Bar	H0150-2289	1				
25.	Steering Wheel	H0150-9719	1				
26.	Running Boards (Left & Right)		1				
N/A = Not Available							

Bold and Underlined parts are to be purchased and installed by Service Centers only. These items may not be sold directly to consumers by Service Centers or Fisher-Price.