

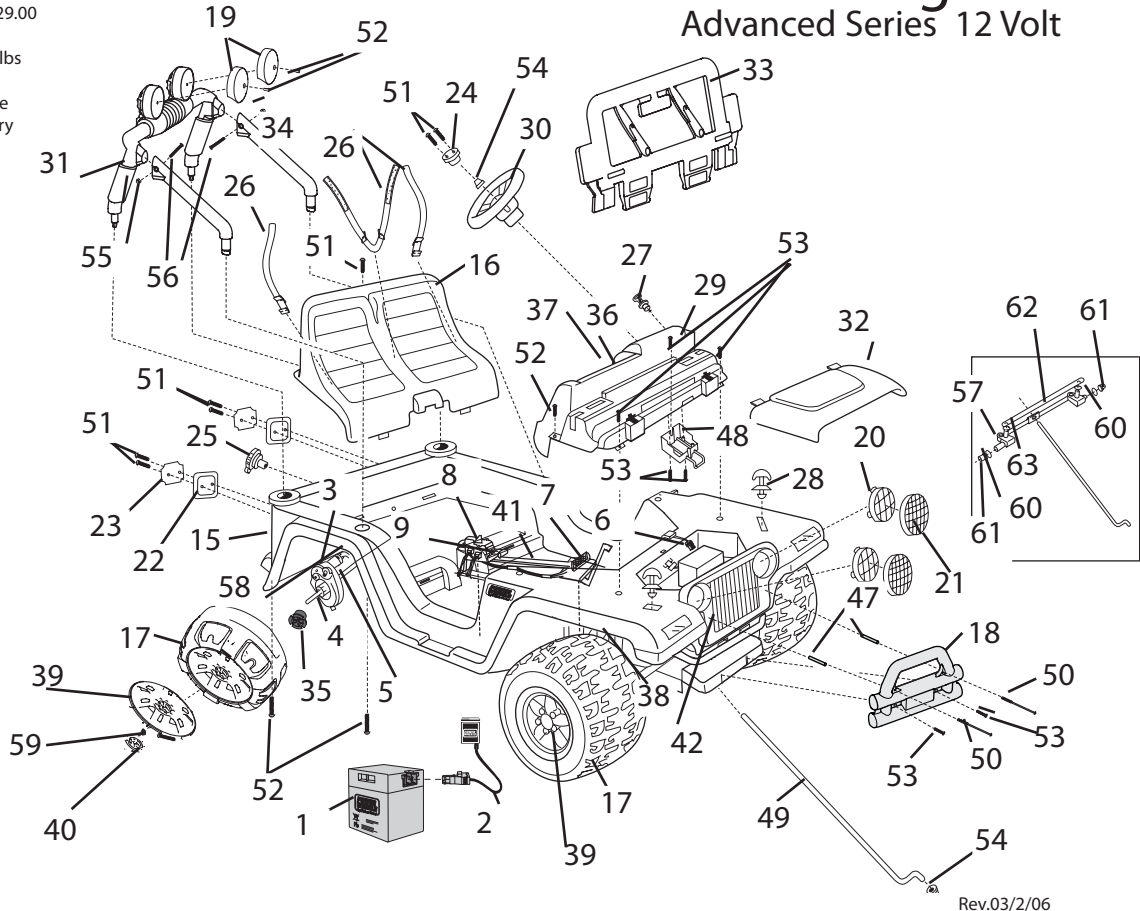
Age Range: 3 and up
 Weight Limit: 130 lbs
 Surfaces: Grass/Asphalt/
 Hard Surfaces
 Speed: 2.5/5.0 mph FOR
 2.5 mph REV



C2390 Jeep Wrangler Restage Advanced Series 12 Volt

Colors: Red Body/
 Black Wheels & Seat
 Intro: 2003
 Suggested Retail: \$229.00
 Box Dimensions:
 18.38 x 33.38 x 44.75 67 lbs

Warranty One Year Vehicle
 6 Months Battery



Rev.03/2/06

| Item No. | Description | Part No. | Qty. | Item No. | Description | Part No. | Qty. | Item No. | Description | Part No. | Qty. |
|--------------------------------------|----------------------------|-------------|------|-------------------------------|-------------------|-------------|------|------------------------|---------------------------|-------------|------|
| Working / Electrical Parts | | | | | | | | | | | |
| 1. | 12V Battery | 00801-0638 | 1 | 27. | Key Assembly | 74765-9369 | 1 | 53. | #10 X 1" Screw | 0801-0220 | 7 |
| 2. | 12V Probe Charger | 00801-0972 | 1 | 28. | Hood Latch | B1501-9559 | 2 | 54. | .354 Cap Nut | 0801-0604 | 2 |
| 3. | Motor Gearbox Assembly | 00968-2912 | 2 | 29. | Dash Assembly | C2390-9069D | 1 | 55. | # 8 Lock Nut N/A | 00801-1277 | 2 |
| 4. | Gearbox W/out Motor | 00968-2802 | 2 | 30. | Steering Wheel | 74440-2379 | 1 | (Order Hardware Bag) | | | |
| 5. | Motor Pinion Assembly | 00968-2702 | 2 | 31. | Roll Bar | B7659-2219 | 1 | 56. | #8 -32 X 1.625" Screw N/A | 00801-1276 | 2 |
| 6. | Main Harness Assembly | C2390-9799D | 1 | 32. | Hood | 3800-7283 | 1 | (Order Hardware Bag) | | | |
| 7. | Footboard Assembly | 74020-9839D | 1 | 33. | Windshield | B7659-2619 | 1 | 57. | Front Axle | B7659-4519 | 2 |
| 8. | Shifter Assembly | 73690-9439 | 1 | 34. | Roll Bar Support | B7659-2379 | 2 | 58. | Rear Axle | B7659-4529 | 1 |
| 9. | Shifter w/Harness Assembly | 3800-7362 | 1 | 35. | Wheel Driver | 74460-2249 | 2 | 59. | .437 Cap Nut | 0801-0227 | 6 |
| Plastic / Other Parts | | | | | | | | | | | |
| 15. | Body N/A | | 1 | 36. | Large Knob | C2390-2629 | 1 | 60. | 7/16" Washer | 0801-0196 | 4 |
| 16. | Seats | 78490-2319 | 4 | 37. | Small Knob | C2390-2639 | 2 | 61. | 7/16 Round Bushing | 74550-2689 | 2 |
| 17. | Wheel | B7659-2459 | 4 | 38. | Front Module | C2390-2019 | 1 | 62. | Cross Bar | 75840-4409 | 1 |
| 18. | Brushguard | B7659-2189 | 1 | 39. | Hubcap | B7659-2469 | 4 | 63. | Steering Linkage Assembly | B7659-9419D | 1 |
| 19. | Light Cover | C2390-2169 | 2 | 40. | Hubcap Cover | B7659-2679 | 4 | | | | |
| 20. | Headlight Lens | 74450-2279 | 2 | 41. | Channel Cover | B0155-2989 | 1 | | | | |
| 21. | Lens Guard | C2390-2339 | 2 | 42. | Grill w/Holes | 75598-2849 | 1 | | | | |
| 22. | Taillight Housing Set | 73233-2759 | 1 | Hardware / Metal Parts | | | | | | | |
| 23. | Taillight Lens Set | 73233-2279 | 1 | 47. | Spacer | 74460-2069 | 2 | Parts Not Shown | | | |
| 24. | Steering Wheel Button | 74550-2729 | 1 | 48. | Battery Retainer | 74020-4819 | 1 | Large Parts Bag | C2390-9279 | 1 | |
| 25. | Gas Cap | 75597-2089 | 1 | 49. | Steering Column | 78490-4239 | 1 | Hardware Bag | C2390-9249 | 1 | |
| 26. | Seat Belt Set | 74310-5339 | 1 | 50. | #8 X 4" Screw N/A | 0801-0301 | 2 | Owner's Manual | C2390-0920 | 1 | |
| | | | | | | | | 51. | #8 X 1" Screw | 0912-8003 | 7 |
| | | | | | | | | (Order Hardware Bag) | | | |
| | | | | | | | | 52. | #10 X 1/2" Screw N/A | 0801-0540 | 8 |
| | | | | | | | | (Order Hardware Bag) | | | |
| Parts Bag (Hardware/Seatbelt/Spacer) | | | | | | | | | | | |
| Parts Bag (Dash Assembly) | | | | | | | | | | | |
| Footswitch (plunger type) | | | | | | | | | | | |

N/A = Not Available

Bold and Underlined parts are to be purchased and installed by Service Centers only. These items may not be sold directly to consumers by Service Centers or Fisher-Price