

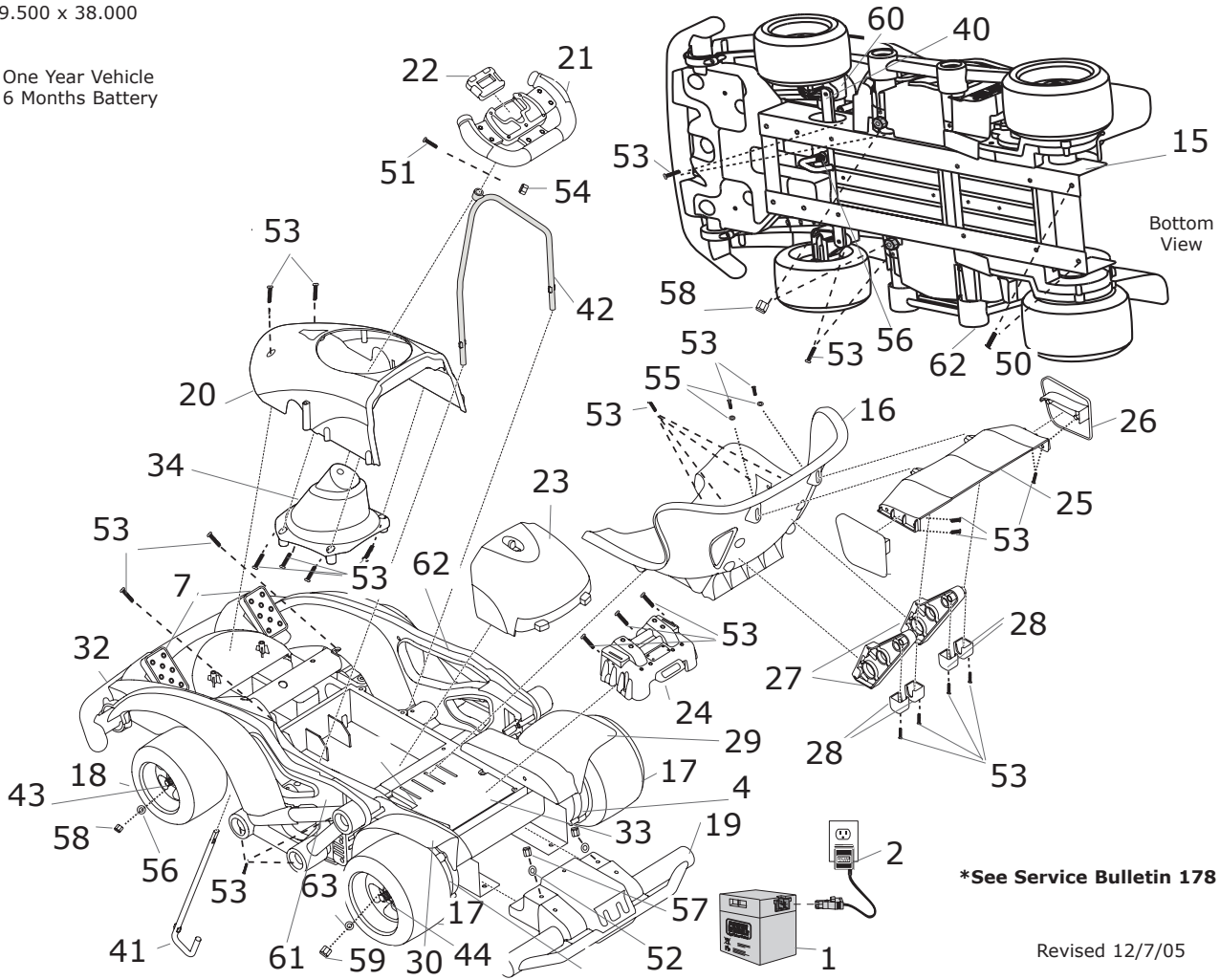
Age Range: 5 and up
Weight Limit: 120 lbs
Surfaces: Hard
Surfaces
 Speed: 7 MPH Forward
 Colors: Blue Body/Red Seat
 Intro: 2004
 Suggested Retail: 199.99
 Box Dimensions:
 20.875 x 9.500 x 38.000
 42 lbs
 Warranty

One Year Vehicle
 6 Months Battery



C0530 Rally Kart

Performance Series 12V



*See Service Bulletin 178

Revised 12/7/05

Item No.	Description	Part No.	Qty.	Item	Part	No.	Description	No.					
Working / Electrical Parts				33.	PC Board Cover	C0532-2039	1	61.	Rail Left	C0530-2349	1		
1.	12V Battery	00801-1048	1	34.	Top Cowling	C0530-2519	1	62.	Rail Right	C0530-2289	1		
2.	12V Charger	00801-0972	1	Hardware / Metal Parts				63.	Rear Bearing Washer	00801-1300	4		
3.	Left Motor Grbox Assy. N/A00968-4900	1	Hardware / Metal Parts				Parts Not Shown						
4.	Right Motor Grbox Assy. N/A00968-4901	1	40.	Steering Linkage Assy.	C0532-9089	1	Hardware Bag	C0530-9269	1				
6.	Main Harness Assembly C0532-9799	1	41.	*Steering Column	C0532-9099	1	**Owners Manual	C0530-0920	1				
7.	Footboard Assembly C0530-9229	1	42.	Steering Tube	C0532-4089	1	Decal Sheet	C0530-0330	1				
Plastic / Other Parts				43.	Front Axle	C0532-4519	2	Hot Wheels Racing Guide	C0530-0300	1			
15.	Frame	N/A	1	44.	Rear Axle	C0532-4539	1	Stencil/Pylon Sheet	C0530-2019	1			
16.	Seat	C0530-2309	1	50.	1/4-20 x 3 Screw N/A (Order Hardware Bag)	2	Chalk	C0530-9039	2				
17.	Rear Wheel	C0530-6129	2	51.	#8-32 x 7/8 Screw N/A (Order Hardware Bag)	00913-1027	1	Footswitch (Plunger Type)	00801-0933	1			
18.	Front Wheel	C0530-6139	2	52.	1/4" Washer N/A (Order Hardware Bag)	00801-1337	2	PC Board	C0532-9539	1			
19.	Rear Bumper	C0532-2379	1	53.	#8 x 3/4 Screw	00912-8001	35	Front Bearing Washer	00801-1335	6			
20.	Cowling	C0530-2219	1	54.	#8 x 32 Lock Nut N/A (Order Hardware Bag)	4	Front Wheel Spacer	C0532-4629	2				
21.	*Steering Wheel Assembly	C0532-9409	1	55.	3/16 Washer N/A (Order Hardware Bag)	2	Front Axle Bearing	C0532-4529	4				
22.	Stopwatch	C0532-9529	1	56.	.375 Front Bearing Washer	00801-1335	1	Rear Wheel Spacer	C0532-4639	2			
23.	Battery Cover (Clamp)	C0530-9369	1	57.	1/4"-20 Lock Nut N/A (Order Hardware Bag)	2	Rear Axle Drive Spacer	C0532-4549	2				
24.	Pretend Motor	C0532-2319	1	58.	3/8-16 Lock Nut	00905-0116	4	Rear Axle Bearing	C0532-4559	4			
25.	Wing	C0530-2389	1	59.	1/2-13 Lock Nut	00905-0115	2	Rear Axle Bushing	C0532-2149	2			
26.	Flap (Left & Right Bagged)	C0530-9029	1	60.	Front Axle Support	C0532-2069	2	Additional Seat Screws	00912-8001	6			
27.	Strut (Left & Right-Bagged)	C0530-9019	1	Gearbox W/out Motor				00968-4800	2				
28.	Cap (Wing Retainer)	C0532-2459	4	Motor Harness				C0532-9699	2				
29.	Right Rear Fender	C0530-2179	1	Thick 1/2 Washer N/A				00801-1408	2				
30.	Left Rear Fender	C0530-2189	1	8-32 x 1.5 Machine Screw N/A				00801-1333	4				
32.	Front Bumper	C0530-2209	1	Left Motor Pinion				00968-4704D	2				
								Right Motor Pinion				00968-4705D	2

N/A = Not Available **Bold and Underlined parts are to be purchased and installed by Service Centers only. These items may not be sold directly to consumers by Service Centers or Fisher-Price. **Service Centers: Please refer to the service bulletin titled C0530_C0532Instruct regarding part discrepancy in manual.**