

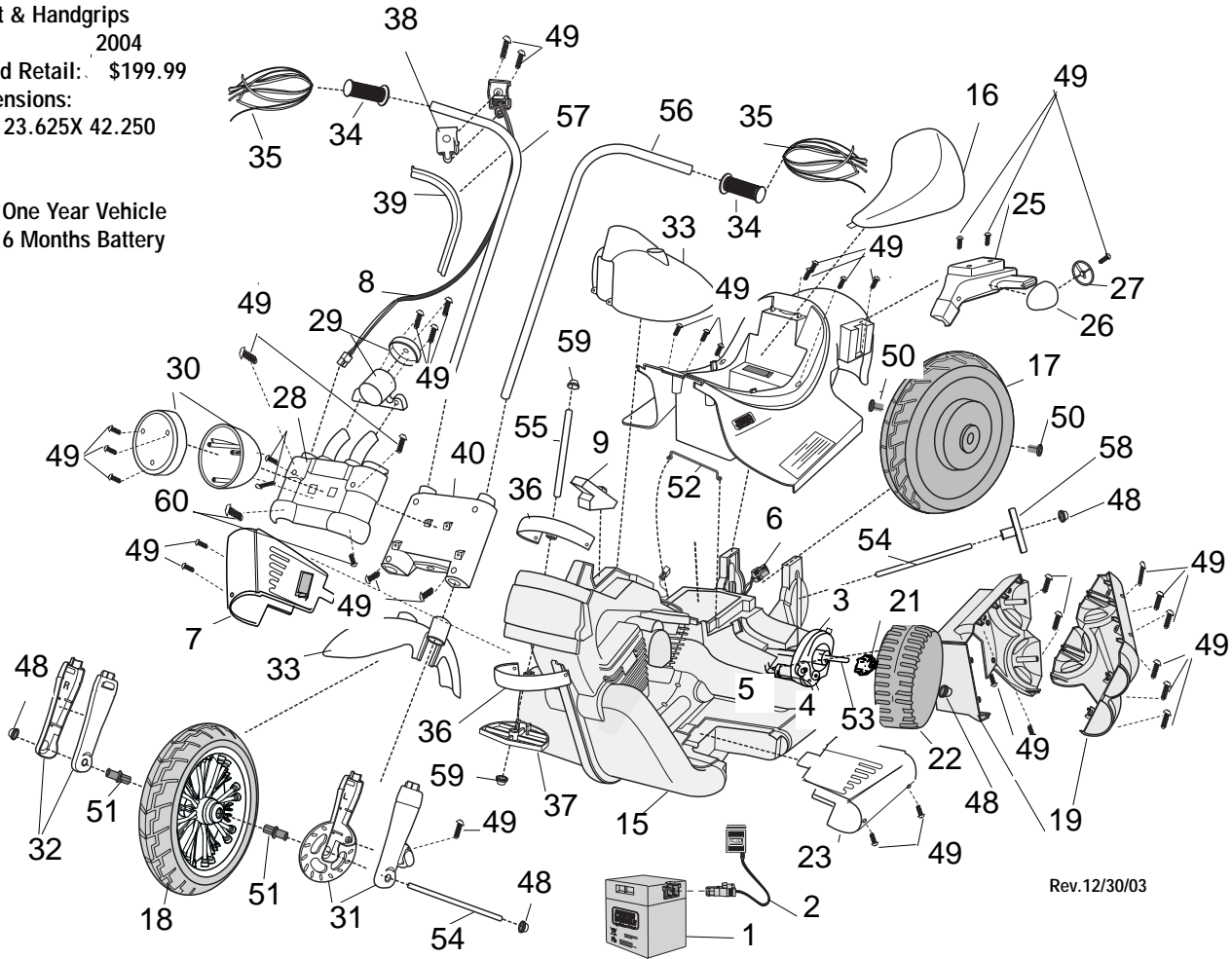
Age Range: 3 and up
 Weight Limit: 65 lbs
 Surfaces: Grass/Asphalt &
 Hard Surfaces
 Speed: 2.5 mph For/Rev
 5.0 mph For
 Colors: Hot Pink Body/
 Blue Seat & Handgrips
 Intro: 2004
 Suggested Retail: \$199.99
 Box Dimensions:
 17.375 X 23.625 X 42.250
 54 lbs
 Warranty

One Year Vehicle
 6 Months Battery



B9784 Girls Harley Restage

Advanced Series 12 Volt



Rev.12/30/03

Item No.	Description	Part No.	Qty.	Item No.	Description	Part No.	Qty.	Item No.	Description	Part No.	Qty.
Working / Electrical Parts											
1.	12V Battery	00801-0638	1	30.	Headlight Assembly	B3160-9279	1	Parts Not Shown			
2.	12V Probe Charger	00801-0972	1	31.	Left Shock Set	B3160-9329	1	Large Parts Bag	B9784-9249	1	
3.	Motor Gearbox Assembly	00968-2901	2	32.	Right Shock Set	B3160-9339	1	Small Parts Bag	B9784-9090D	1	
4.	Gearbox W/out Motor	00968-2801	2	33.	Front Fender/Tank	3800-7211	1	Hardware Bag	B3160-9369	1	
5.	Motor Pinion Assembly	74290-9539	2	34.	Handgrip	B9784-2399	2	Owner's Manual	B3160-0920	1	
6.	Main Harness Assembly	74287-9799	1	35.	Tassel	B9784-2679	2	Decal Sheet	B9784-0310	1	
7.	Right Footboard w/Switch	74370-9239	1	36.	Steering Bushing	74370-2359	2	Footswitch (Plunger Type)	00801-0933	1	
8.	Handlebar Harness	B3160-9759	1	37.	Steering Stop	74370-2369	1	Adhesive Clip-Harness	0801-0313	1	
9.	Soundbox	74290-9559	1	38.	Switch Cover, Rear	B3160-2429	1	PC Board-Turbo Assembly	74287-9729	1	
Plastic / Other Parts				Hardware / Metal Parts				PIC Switch-Pushbutton			
15.	Body	N/A	1	48.	.437 Cap Nut	0801-0226	4	Control Switch	00801-1198	1	
16.	Seat	B9784-2309	1	49.	#8 X 3/4" Screw	0912-8001	57	Right Strut	00801-0873	1	
17.	Rear Wheel	B3160-2259	1	50.	Hex Bushing	73233-2559	2	#8-32 x 3/4 Machine Screw	B3160-2609	1	
18.	Front Wheel	B3160-9159	1	51.	Bushing W/Extension	73600-2459	2	(Order Hardware Bag)		2	
19.	Exhaust Set	3800-6698	1	52.	Battery Retainer	74290-4419	1	#8-32 X 1 5/8" Machine Screw		2	
21.	Driver	73233-2239	2	53.	Axle (Drive Wheel)	74290-4509	1	(Order Hardware Bag)		4	
22.	Drive Wheel	74290-2269	2	54.	Axle (Front/Rear)	74290-4519	2	#8-32 Acorn Nut			
23.	Left Footboard	74370-2249	1	55.	Fork Axle	74290-4529	1	(Order Hardware Bag)			
25.	Left Strut	B3160-2619	1	56.	Handlebar-Left	B9784-4019	1				
26.	Signal Housing	B3160-2629	2	57.	Handlebar-Right	B9784-4029	1				
27.	Signal Lens	B3160-2639	2	58.	Bushing-Axle (Bearing)	74370-2379	2				
28.	Fork Cover	B3160-2669	1	59.	.354 Cap Nut	0801-0604	2				
29.	Tachometer Housing w/Cover	B3160-8400	1	60.	8 X 1/2 Screw	0801-0202	2				

N/A = Not Available

Bold and Underlined parts are to be purchased and installed by Service Centers only. These items may not be sold directly to consumers by Service Centers or Fisher-Price.