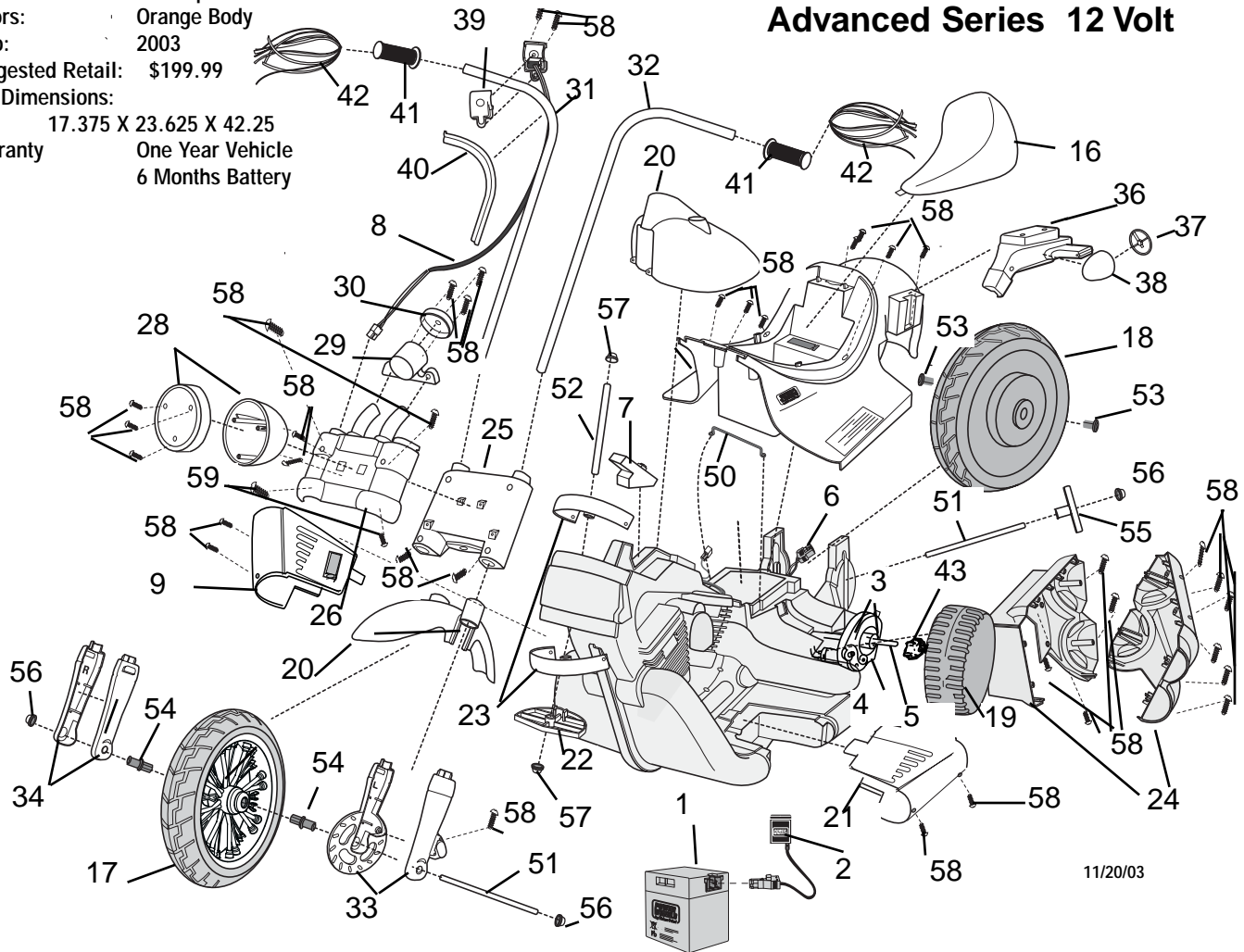


Age Range: 3 and up
 Weight Limit: 65 lbs
 Surfaces: Grass/Asphalt & Hard surfaces
 Speed: 2 1/2 mph
 Forward/Reverse and 5 mph Forward
 Colors: Orange Body
 Intro: 2003
 Suggested Retail: \$199.99
 Box Dimensions: 17.375 X 23.625 X 42.25
 Warranty: One Year Vehicle
 6 Months Battery



B3160 Harley Davidson

Advanced Series 12 Volt



11/20/03

Item No.	Description	Part No.	Qty.	Item No.	Description	Part No.	Qty.	Item No.	Description	Part No.	Qty.				
Working / Electrical Parts															
1.	Battery	00801-0638	1	29.	Tachometer Housing w/cover	B3160-8400	1	Parts Not Shown							
2.	Charger w/probe	00801-0972	1	30.	Tachometer Cover	B3160-2659	1	Large Parts Bag	B3160-9249	1					
3.	Motor Gearbox Assembly	00968-2901	2	31.	Right Handlebar	B3160-4029	1	Small Parts Bag	B3160-9090D	1					
4.	Gearbox W/out Motor	00968-2801	2	32.	Left Handlebar	B3160-4019	1	Hardware Bag	B3160-9369	1					
5.	Motor Pinion Assembly	74290-9539	2	33.	Left Shock Set	B3160-9329	1	Decal Sheet	B3160-0310	1					
6.	Main Harness Assembly	74287-9799	1	34.	Right Shock Set	B3160-9339	1	Manual	B3160-0920	1					
7.	Sound Box	74290-9559	1	36.	Left Strut	B3160-2619	1	Right Strut	B3160-2609	1					
8.	Handlebar Harness	B3160-9759	1	37.	Signal Lens	B3160-2639	2	PIC Switch, pushbutton	00801-1198	1					
9.	Right Ftbd w/switch	74370-9239	1	38.	Signal Housing	B3160-2629	2	Adhesive Clip-Harness	0801-0313	1					
Plastic / Other Parts															
15.	Body	N/A		39.	Switch Cover	B3160-2429	1	PC Board-turbo Assy	74287-9729	1					
16.	Seat	74290-2309	1	40.	Wire Cover	B3160-2439	1	Footswitch (plunger type)	00801-0933	1					
17.	Front Wheel	B3160-9159	1	41.	Handgrip	74290-2399	2	#8 -32 X 3/4 Machine Screw (order hardware bag)		2					
18.	Rear Wheel	B3160-2259	1	42.	Tassel	B3160-2679	2	#8-32 X 1 5/8 Machine Screw (order hardware bag)		2					
19.	Drive Wheel	74290-2269	2	43.	Driver	73233-2239	2	# 8-32 Acorn nut (order hardware bag)		4					
20.	Fender/Gas Tank Bag	3800-7121	1	Hardware / Metal Parts											
21.	Left Footboard	74370-2249	1	50.	Battery Clamp (retainer)	74290-4419	1	Control Switch	00801-0873	1					
22.	Steering Stop	74370-2369	1	51.	Wheel Axle	74290-4519	2								
23.	Steering Bushing	74370-2359	2	52.	Fork Axle	74290-4529	1								
24.	Exhaust Set(inner/outer)	3800-6698	2	53.	Hex Bushing	73233-2559	2								
25.	Front Fork	B3160-2349	1	54.	Bushing w/Extension	73600-2459	2								
26.	Front Fork Cover	B3160-2669	1	55.	Axle Bearing (Bushing)	74370-2379	2								
28.	Headlight Assembly (includes headlight housing and headlight lens)	B3160-9279	1	56.	.437 Cap Nut	0801-0226	4								
N/A = Not Available															

Bold and Underlined parts are to be purchased and installed by Service Centers only. These items may not be sold directly to consumers by Service Centers or Fisher-Price.