

B0155-9993

Fire Rescue Jeep

Advanced Series 12 Volt

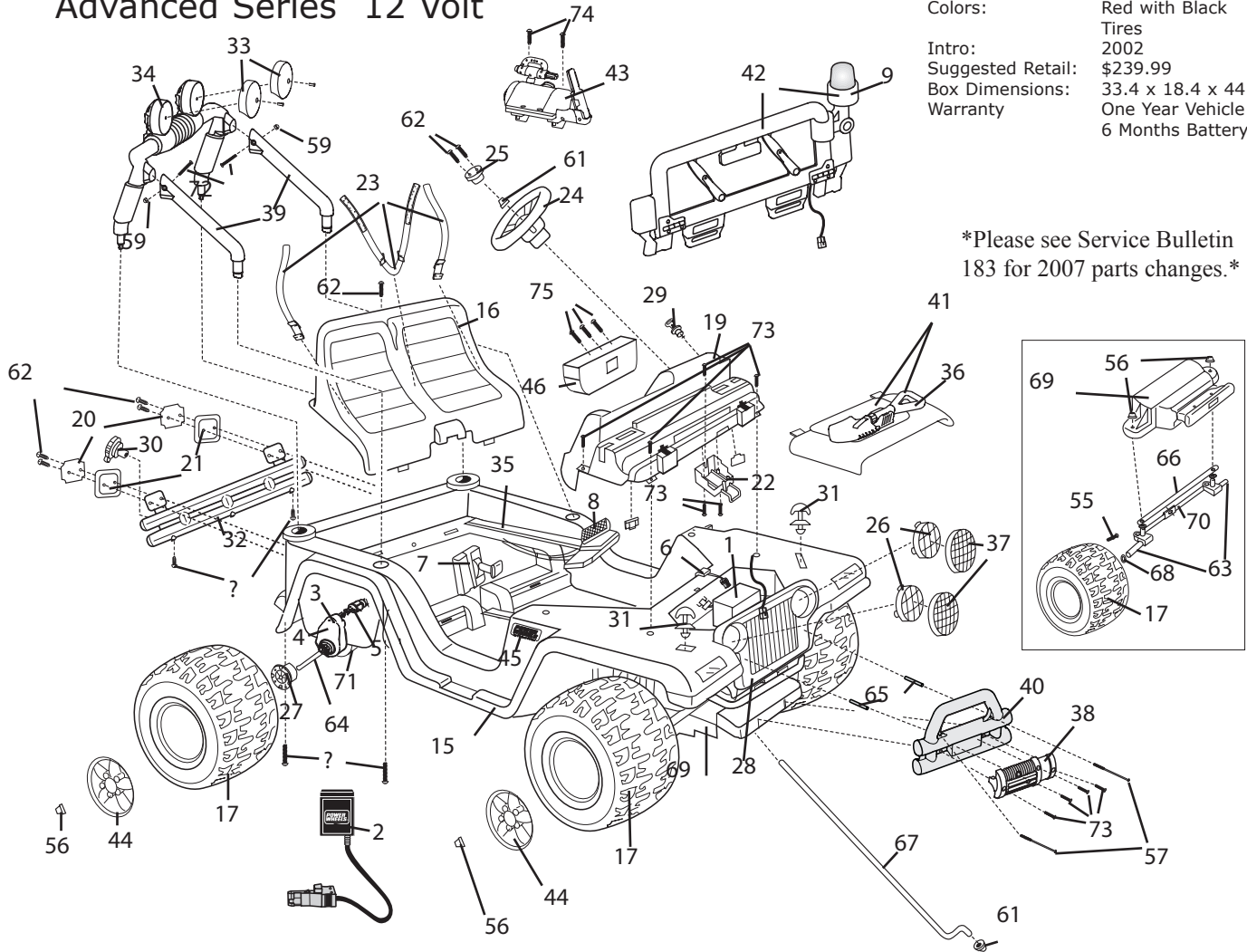


Age Range: 3-7 years
 Weight Limit: 130 lbs
 Surfaces: Hard and grass
 Speed:

2.5 and 5.0 Forward
 2.5 Reverse

Colors: Red with Black
 Tires

Intro: 2002
 Suggested Retail: \$239.99
 Box Dimensions: 33.4 x 18.4 x 44.8
 Warranty: One Year Vehicle
 6 Months Battery



Please see Service Bulletin 183 for 2007 parts changes.

Item No.	Description	Part No.	Qty. Item	Part	No. Qty.	Description	No.
Working / Electrical Parts							
1	12V Battery	00801-0638		31	2	Hood Latch Assm.	78490-9559
2	Charger fused charger (probe)	00801-0972	1	32	1	Rear Bumper	B0155-2039
3	Motor Gearbox Assembly	00968-2909	2	33	2	Light Cover	B0155-2069
4	Gearbox W/out Motor	00968-2805	2	34	1	Rollbar	B0155-2219
5	Motor Pinion Assembly	00968-2701	2	35	1	Channel cover	B0155-2289
6	Main Harness Assembly	78490-9699	1	36	1	Shovel	B0155-2449
7	Shifter Assm.	74310-9239	1	37	2	Headlight Guard	B0155-2539
8	Footboard Assm.	75840-9829	1	38	1	Winch	B0155-2649
9	Light Assm.(bulb & light harness)	B0155-9479	1	39	2	Sportbar Support	B0155-2769
				40	1	Brushguard	B0155-2789
				41	1	Hood with Shovel	B0155-9129D
				42	1	Windshield with Light Assm (include bulb & light harness)	B0155-9609D
				43	1	Water Cannon Assm.	B0155-9809
				44	4	Hubcap	B1501-2579
				45	2	PW Emblem	74460-9069
				46	1	Sound Box	B0155-9419
				Hardware / Metal Parts			
				55	2	Washer 7/16	0801-0196
				56	4	Cap Nut Black .437	0801-0226
				57	2	Trusshead screw 8x7/8	0801-0228
				58	2	#12 x 1.25 N/A	0801-0260
				59	2	nylock nut 5/16	0801-0601
				60	2	5/16 5 1/2 hex bolt N/A	0801-0605
				61	2	Steering Column Cap	00801-1620
				62	9	Screw #8 3/4	0912-8001
				63	2	Front Axle	74440-4509
				64	1	Rear Axle	74440-4519
				65	2	Spacer Brushguard	74460-2069
				66	1	Crossbar	74460-4419
				67	1	Steering column	74526-4129
				68	2	7/16 Round Bushing	74550-2689
				69	1	Module N/A	B0155-2919
				70	1	Steering Linkage Assm.	74440-9419A
				71	1	Rear Module N/A	B0155-2929
				72	2	Screw 8 32 x 1.625 N/A	00801-0604
				73	10	#10 12 x 1 Panhead Screw N/A	00801-1256
				74	2	#10 24 x 1 Screw N/A	00801-1266
				75	3	#8 3-18 3/4 screw N/A	00405-2073
				Parts Not Shown			
						Large Parts Bag	B0155-9269
						Small Parts Bag	B0155-9259
						Hardware Bag	B0155-9289
						Owners Manual	B0155-0920
						Decal Sheet	B0155-0310
						Footswitch Plunger	00801-0933
						Adhesive clip (Harness)	0801-0313
						Wire Clip	B0155-4489
						Switch Control (Shifter-Rocker)	00801-0923

N/A = Not Available

Bold and Underlined parts are to be purchased and installed by Service Centers only. These items may not be sold directly to consumers by Service Centers or Fisher-Price.