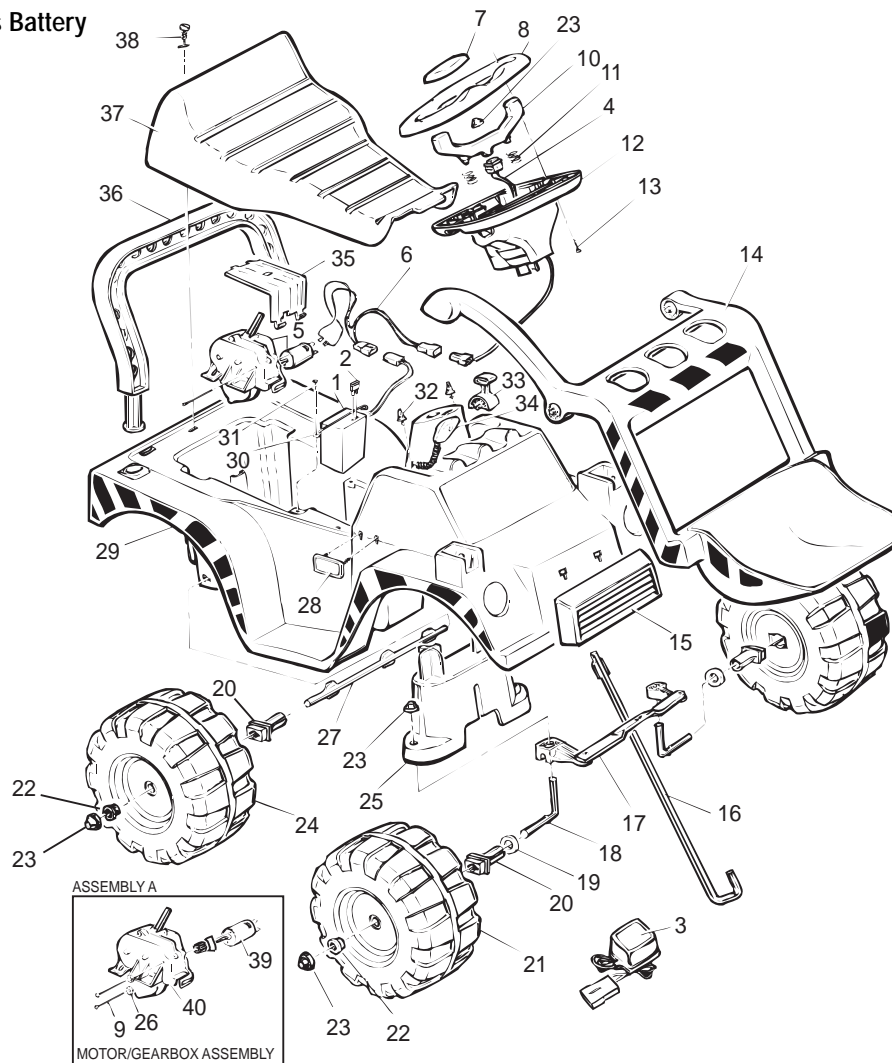


Age Range: 1-3 Yrs.  
 Weight Limit: 40 Lbs.  
 Surfaces: Hard & Grass  
 Speed: 1 MPH  
 Colors: Yellow Body  
 Black Wheels & Trim  
 Intro: 9-2-97  
 Suggested Retail \$49.99 - 59.99  
 Avail: 11/97 - 1997 (limited)  
 Warranty: 90 Days Vehicle  
 6 Months Battery

# 78600-9993 Caterpillar Front Loader Jr.

Walmart Exclusive

Toddler Series  
6 Volt



Rev. 07/31/03

Item No.	Description	Part No.	Qty.	Item No.	Description	Part No.	Qty.	Item No.	Description	Part No.	Qty.
1	Battery 6 Volt (4 Amp)	0801-0336	1	19	5/16" Washer	0801-0253	2	37	Seat N/A	78560-2309	1
2	25 Amp Fuse	0801-0151	1	20	Bushing w/Long Extension	78560-2659	4	38	Lock Fastener	78570-2439	1
3	Charger (4 AH)	00801-0976	1	21	Front Wheel N/A	78560-2469	2		(when depleted, use new 78570-2439)		
4	Switch Assm.	78560-9799	1	22	Wheel Bushing	78560-2679	4	39	Motor w/Pinion	74590-9539	1
5	#5 Motor/gearbox Assy	74504-9519	1	23	.354 Cap Nut	0801-0604	7	40	#5 Gear Box w/out Motor	72629-9259	1
6	<b>Main Wiring Harness N/A</b>	<b>78560-2789</b>	1	24	Rear Wheel N/A	78560-2459	2				
7	Steering Wheel Cap N/A	78560-2349	1	25	Module N/A	78560-2189	1				
8	Steering Wheel Cover N/A	78560-2389	1	26	<b>Star Washer N/A</b>	<b>0801-0330</b>	2				
9	<b>Motor Bolt</b>	<b>0801-0269</b>	2	27	Rear Axle	74504-4539	1				
10	Yoke N/A	78560-2359	1	28	PW Emblem Set	74460-9069	1				
11	Yoke Spring N/A	78560-4549	2	29	Body N/A	78560-2109	1				
12	Steering Wheel Base N/A	78560-2329	1	30	Battery Retainer	74504-4429	1				
13	#6 x 1/2" Screw N/A	0801-0274	4	31	#8 x 7/8 Trusshead Screw	0801-0228	2				
14	Scoop N/A	78560-2429	1	32	Dash Knobs	74550-2719	2				
15	Grille N/A	78560-2129	1	33	Shifter	74550-2229	1				
16	Steering Column	74550-4239	1	34	Microphone	74770-9489	1				
17	Steering Linkage N/A	78560-4269	1	35	Motor/Gearbox Cover N/A	78560-2119	1				
18	Front Axle N/A	78560-4509	2	36	Sports Bar N/A	78600-2419	1				
								<b>PARTS NOT SHOWN</b>			
									Steering Linkage Assem N/A	78560-4269	1
									Decal Sheet N/A	78600-0310	1
									Literature Bag N/A	786009019A	1
									Owner's Manual N/A	78600-0920	1
									Bolt (for Scoop) N/A	78560-4459	1
									Lock Nut N/A	0801-0218	1
									Large Parts Bag N/A	78600-9249	1
									Small Parts Bag N/A	78560-9269	1

N/A = Not Available

**Bold and Underlined parts are to be purchased and installed by Service Centers only. These items may not be sold directly to consumers by Service Centers or Fisher-Price.**