

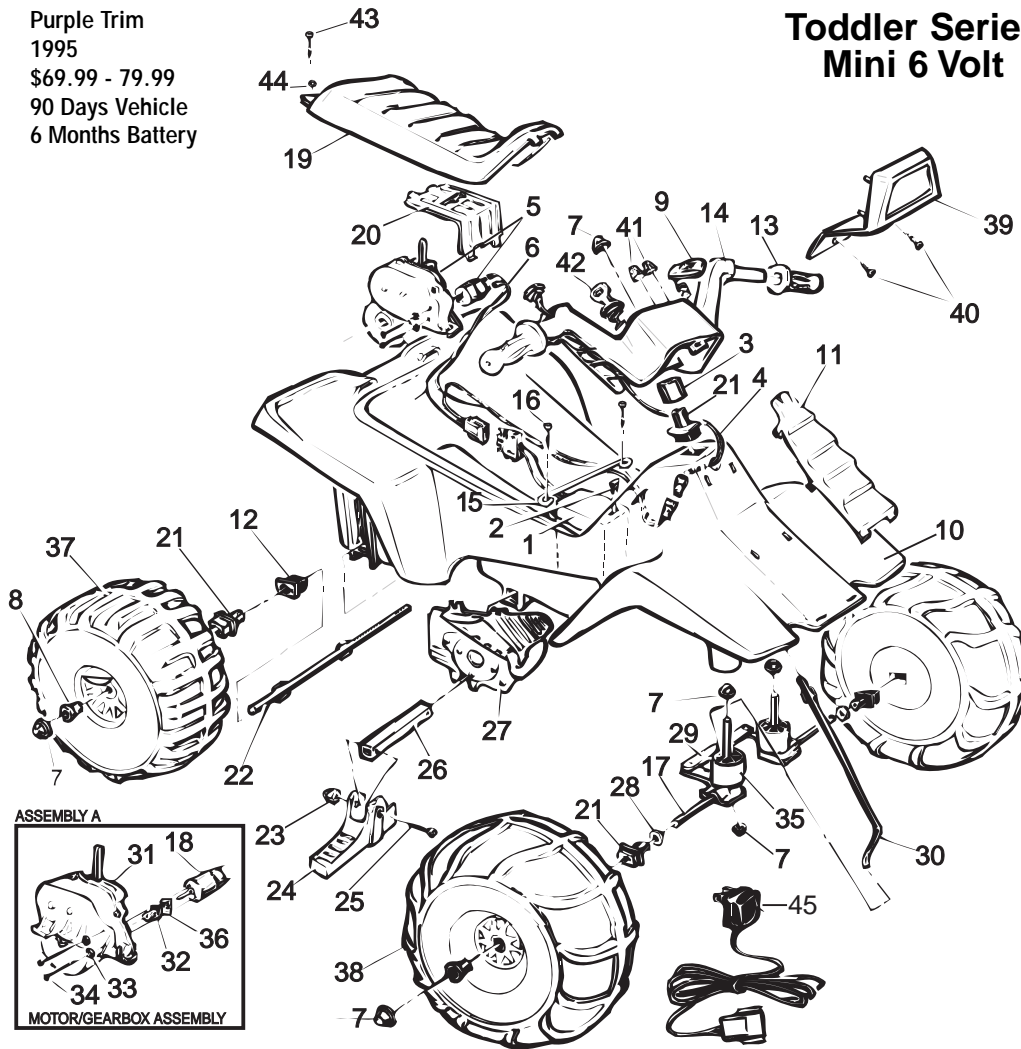
Age Range: 1-3 Years
 Weight Limit: 40 Lbs.
 Surfaces: Hard & Grass
 Speed: 1.0 MPH
 Colors: White Body
 Pink Tires
 Purple Trim

Intro: 1995
 Suggested Retail: \$69.99 - 79.99
 Warranty: 90 Days Vehicle
 6 Months Battery



78550-9993 Butterfly Princess®

Toddler Series
 Mini 6 Volt



REV. 08/28/03

| Item No. | Description | Part No. | Qty. | Item No. | Description | Part No. | Qty. | Item No. | Description | Part No. | Qty. |
|----------|--|-------------------|------|----------|-----------------------------|-------------------|------|------------------------|--------------------------------|------------|------|
| 1 | Battery 6 Volt (4 ah) | 0801-0336 | 1 | 18 | Motor | (N/A) | 1 | 36 | D Lock Washer | 0801-0329 | 1 |
| 2 | 25 Amp Fuse | 0801-0151 | 1 | 19 | Seat (Lavender) N/A | 73680-2819 | 1 | 37 | Rear Wheel | 76980-2469 | 2 |
| 3 | Steering Column Spacer N/A | 77440-2419 | 1 | 20 | Motor Cover (N/A) | 73560-9489 | 1 | 38 | Front Wheel N/A | 76980-2459 | 2 |
| 4 | Switch Assm. | 78560-9799 | 1 | 21 | Bushing w/Long Extension | 78560-2659 | 5 | 39 | Headlight Rim N/A | 78550-2219 | 1 |
| 5 | #5 Motor/Gearbox Assy (Incl. # 32, 33, 34 and 36) | 74504-9519 | 1 | 22 | Rear Axle | 74504-4539 | 1 | 40 | #10 x 3/4" Screw | 0801-0309 | 2 |
| 6 | Wiring Harness (Main) | 73560-9799 | 1 | 23 | Acorn Nut N/A | 0801-0218 | 2 | 41 | Knobs N/A | 78570-2179 | 2 |
| 7 | .354 Cap Nut | 0801-0251 | 8 | 24 | Footpeg (Lavender) N/A | 73680-2159 | 2 | 42 | Key/Housing Assy N/A | 74550-2439 | 1 |
| 8 | Wheel Bushing | 78560-2679 | 4 | 25 | 1-1/4" Shoulder Bolt | 0801-0304 | 2 | 43 | #10 x 1/2" Trusshead Screw N/A | 0801-0271 | 1 |
| 9 | Microphone N/A | 74780-9479 | 1 | 26 | Footpeg Support | 76940-2179 | 1 | 44 | Rivnut N/A | 0801-0314 | 1 |
| 10 | Body (N/A) | 77440-2109 | 1 | 27 | False Motor Set N/A | 73670-2119 | 1 | 45 | Charger 6 Volt (4 ah) | 00801-0976 | 1 |
| 11 | Grill (Lavender) N/A | 73680-2809 | 1 | 28 | 5/16" Washer | 0801-0253 | 2 | PARTS NOT SHOWN | | | |
| 12 | Bushing w/o Extension | 74504-2549 | 2 | 29 | Steering Linkage | 74504-4219 | 1 | | Tassels | 73680-2129 | 2 |
| 13 | Handgrips N/A | 73670-2129 | 2 | 30 | Steering Column N/A | 72621-4239 | 1 | | Literature Bag N/A | 78550-8001 | 1 |
| 14 | Handlebar w/Dash N/A | 78550-4219 | 1 | 31 | #5 Gearbox | 72629-9259 | 1 | | Paper Decal Sheet N/A | 78559-0320 | 1 |
| 15 | Battery Retainer | 74504-4429 | 1 | 32 | Motor Drive Gear N/A | 74504-2259 | 1 | | Mylar Decal Sheet N/A | 78559-6059 | 1 |
| 16 | #8 x 7/8" Trusshead Screw | 0801-0228 | 2 | 33 | Star Washer N/A | 0801-0330 | 2 | | Battery Foam Pocket | 73560-0401 | 1 |
| 17 | Front Axle | 74504-4509 | 2 | 34 | Motor Bolt | 0801-0269 | 2 | | | | |
| | | | | 35 | Front Post Bushing N/A | 73680-2539 | 2 | | | | |

N/A = Not Available **Bold and Underlined parts are to be purchased and installed by Service Centers only. These items may not be sold directly to consumers by Service Centers or Fisher-Price.**