



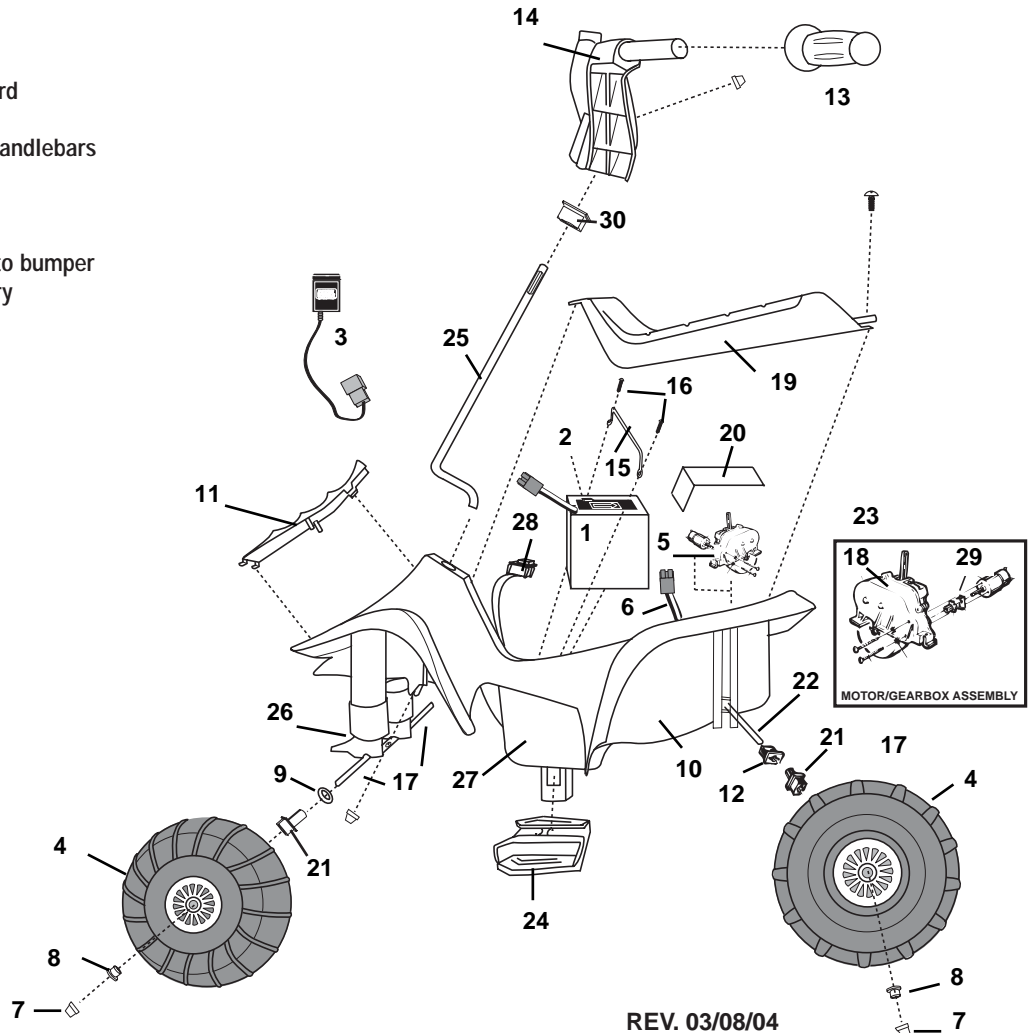
76921-9993 Lil Kawasaki

TRU Boys

Toddler Series Mini 6 Volt

Age Range: 1-3 Yrs.
 Weight Limit: 40 Lbs.
 Surfaces: Hard & Grass
 Speed: 2.0 MPH Forward
 Colors: Black
 Green Seat & Handlebars
 Black Wheels

Intro: 2000
 Suggested Retail: \$79.99
 Warranty: 1 year bumper to bumper
 6 Months Battery



REV. 03/08/04

| Item No. | Description | Part No. | Qty. | Item No. | Description | Part No. | Qty. | Item No. | Description | Part No. | Qty. |
|-----------|------------------------------|-------------------|----------|-----------|------------------------------|-------------------|----------|----------|-------------|----------|------|
| 1 | Battery 6 Volt (4 AH) | 0801-0336 | 1 | 19 | Seat | 76920-9319 | 1 | | | | |
| 2 | 25 Amp Fuse | 0801-0151 | 1 | 20 | Motor Cover | 73560-9489 | 1 | | | | |
| 3 | Charger (4 AH) | 00801-0976 | 1 | 21 | Wheel Bushing | 76920-2659 | 1 | | | | |
| 4 | Wheel | 74380-2459 | 4 | 22 | Rear Axle | 74504-4539 | 1 | | | | |
| 5 | Motor/Gearbox Assy | 74504-9519 | 1 | 23 | Motor Assm Pinion N/A | 76940-9539 | 1 | | | | |
| 6 | Wiring Harness (Main) | 73560-9799 | 1 | 24 | Foot rest | 74380-2169 | 1 | | | | |
| 7 | .354 Cap Nut | 0801-0548 | 8 | 25 | Steering Column | 76940-4239 | 1 | | | | |
| 8 | Round Bushing | 78560-2679 | 4 | 26 | Steering Linkage | 74504-4219 | 1 | | | | |
| 9 | 5/16" Washer | 0801-0253 | 2 | 27 | False Motor Set | 73560-9489 | 1 | | | | |
| 10 | Body N/A | 74380-2109 | 1 | 28 | Switch Assm | 78560-9799 | 1 | | | | |
| 11 | Grille | 76920-2149 | 1 | 29 | Motor w/ pinion N/A | 76940-9539 | 1 | | | | |
| 12 | Bushing w/o Extension | 76920-2549 | 2 | 30 | Steering Column Bushing | 74504-2549 | 2 | | | | |
| 13 | Handgrips N/A | 76920-2129 | 2 | | PARTS NOT SHOWN | | | | | | |
| 14 | Handlebar N/A | 76920-2139 | 1 | | Literature Bag N/A | 76921-9019 | 1 | | | | |
| 15 | Battery Retainer | 74504-4429 | 1 | | Paper Decal Sheet | 76920-0310 | 1 | | | | |
| 16 | #8 x 7/8" Trusshead Screw | 0801-0228 | 2 | | Hardware Bag | 76921-9269 | 1 | | | | |
| 17 | Front Axle | 74504-4509 | 2 | | Large Parts Bag N/A | 76921-9039 | 1 | | | | |
| 18 | Gearbox W/O Motor | 72629-9259 | 1 | | | | | | | | |

N/A = Not Available **Bold and Underlined parts are to be purchased and installed by Service Centers only. These items may not be sold directly to consumers by Service Centers or Fisher-Price.**