

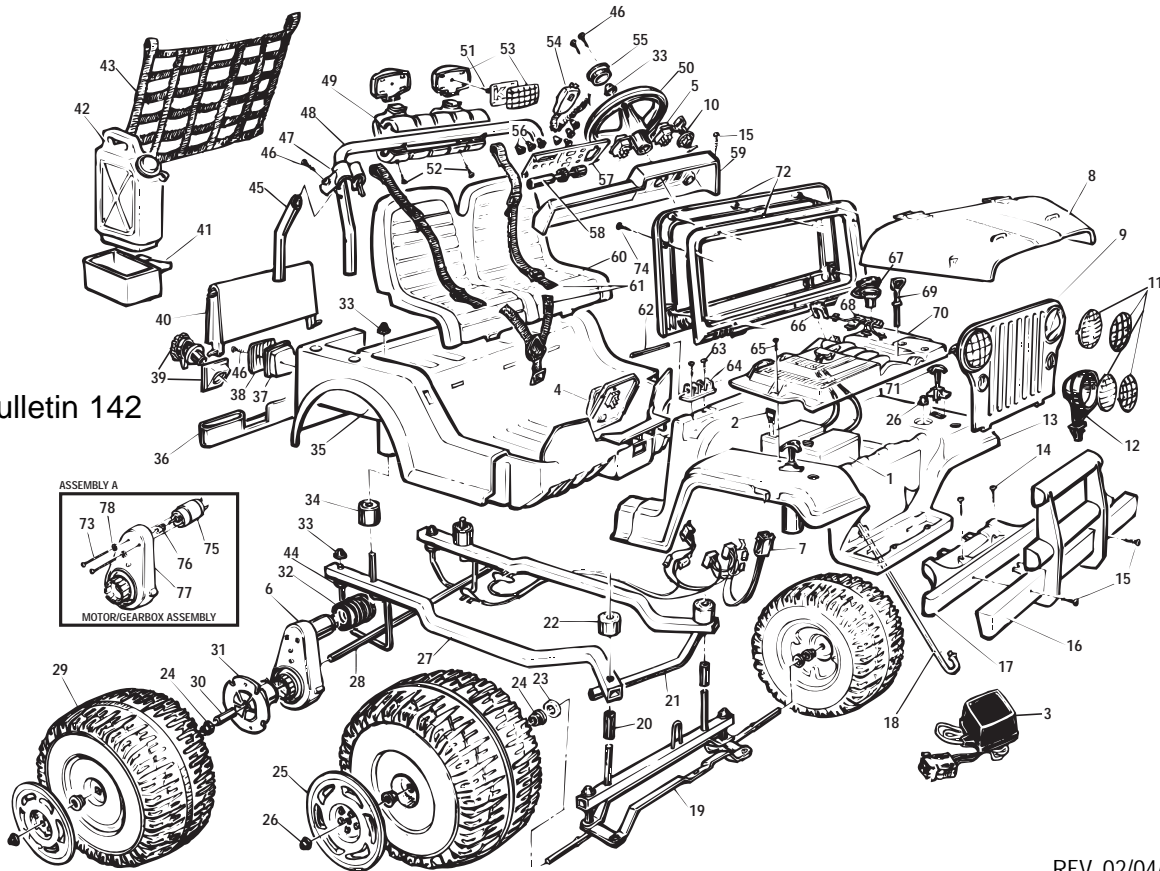
Age Range: 3-7 Yrs.
 Weight Limit: 130 Lbs.
 Surfaces: Hard, Grass & Hills,
 Speed: 2.5 / 5.0 MPH Forward
 2.5 MPH Reverse
 Colors: Grey Body
 Intro: 1993
 Warranty: 90 Days Vehicle
 6 Months Battery

76235-9993 / 86270

**JEEP® WRANGLER®
 (Grey / Pace Exclusive)
 12 Volt**

**This product is affected by the
 PW recall announced Oct 1998.
 Please confirm that the product
 is modified or remediated in
 accordance with policy.**

Service Bulletin 142



REV. 02/04/04

| Item No. | Description | Part No. | Qty. | Item No. | Description | Part No. | Qty. | Item No. | Description | Part No. | Qty. |
|----------|------------------------------|-------------------|------|----------|----------------------------|------------|------|----------|------------------------------|-------------------|------|
| 1 | Battery | 00801-0712 | 2 | 31 | Driver N/A | 74570-2239 | 2 | 61 | Seat Belt N/A | 76808-5519 | 1 |
| 2 | 30 Amp Fuse N/A | 0801-0229 | 2 | 32 | Motor Cover N/A | 73233-2489 | 2 | 62 | Windshield Hinge Pin | 0801-0257 | 2 |
| 3 | 12 Volt Charger | 00801-0973 | 1 | 33 | .354 Cap Nut | 0801-0604 | 5 | 63 | #8 x 1/2" Screw | 0801-0202 | 4 |
| 4 | *Footswitch | 76817-9159 | 1 | 34 | Rear Bushing N/A | 74570-2549 | 2 | 64 | Windshield Hinge N/A | 80063-0058 | 2 |
| 5 | Control Switch | 00801-0885 | 2 | 35 | Rear Body N/A | 80005-0256 | 1 | 65 | #10 x 1" Screw | 0801-0220 | 3 |
| 6 | Motor Gearbox Assy N/A | 78608-9529 | 2 | 36 | Rear Bumper N/A | 74440-2039 | 1 | 66 | Battery U Clip N/A | 74570-2669 | 1 |
| 7 | *Main Wiring Harn N/A | 80064-0118 | 1 | 37 | Taillight Housing Set | 73233-2759 | 1 | 67 | Radiator Cap N/A | 74570-2649 | 1 |
| 8 | Hood (subs to red) N/A | 76817-2359 | 1 | 38 | Taillight Lens Set | 73233-2279 | 1 | 68 | Spark Plug N/A | 74570-2129 | 1 |
| 9 | Grill (subs to red) N/A | 73233-9809 | 1 | 39 | Gas Cap/Flange Assy N/A | 73233-9249 | 1 | 69 | Dipstick N/A | 74570-2329 | 1 |
| 10 | Key | 73233-2439 | 1 | 40 | Tailgate (subs to red) N/A | 73243-2129 | 1 | 70 | False Motor N/A | 74570-2079 | 1 |
| 11 | Headlight/Guard Assy | 73233-9339 | 2 | 41 | Water Bottle Holder N/A | 74570-2049 | 2 | 71 | Hood Latch | 74440-9559 | 2 |
| 12 | Running Light Hous N/A | 80030-0038 | 2 | 42 | Water Bottle and Cap | 78608-2239 | 2 | 72 | Windshield Set | 74550-9159 | 1 |
| 13 | Front Body N/A | 80005-0255 | 1 | 43 | Cargo Net N/A | 78608-5549 | 1 | 73 | Motor Bolt N/A | 0801-0300 | 4 |
| 14 | #8 x 3/4" Screw | 0801-0223 | 2 | 44 | 5/16" Washer | 0801-0253 | 2 | 74 | #8 x 1-1/4" Screw N/A | 0801-0216 | 10 |
| 15 | #10 x 1/2" Screw | 0801-0255 | 4 | 45 | Roll Bar Supp Tube N/A | 74450-2249 | 2 | 75 | Motor N/A | 76229-0640 | 2 |
| 16 | Brush Guard N/A | 78608-2259 | 1 | 46 | #8 x 1" Screw | 0801-0224 | 8 | 76 | Motor Drive Gear | 78608-4439 | 2 |
| 17 | Front Bumper N/A | 73233-2519 | 1 | 47 | Roll Bar Bracket Set | 73233-2179 | 1 | 77 | Gearbox w/out Mot N/A | 74570-9269 | 2 |
| 18 | Steering Column N/A | 74570-4439 | 1 | 48 | Light Bar N/A | 74450-4209 | 1 | 78 | Star Washer N/A | 0801-0331 | 4 |
| 19 | Steering Link Assy N/A | 78608-4279 | 1 | 49 | KC Light Rack N/A | 74440-2059 | 1 | | | | |
| 20 | Spacer Axle Support (N/A) | 78608-2419 | 2 | 50 | Steering Wheel | 74440-2379 | 1 | | | | |
| 21 | Front Bumper Supp N/A | 76817-4159 | 1 | 51 | #6 x 12" Screw | 0801-0222 | 2 | | | | |
| 22 | Front Bushing N/A | 74570-2539 | 2 | 52 | #6 x 1-1/2" Screw | 0801-0221 | 2 | | | | |
| 23 | 7/16" Washer | 0801-0196 | 2 | 53 | KC Light/Guard Assy | 73233-9219 | 1 | | | | |
| 24 | Axle Bushing | 74550-2689 | 8 | 54 | Microphone | 73233-9479 | 1 | | | | |
| 25 | Hubcap N/A | 78608-2589 | 4 | 55 | Steering Wheel Plug | 74550-2729 | 1 | | | | |
| 26 | .437 Cap Nut | 0801-0226 | 6 | 56 | Radio Knobs N/A | 74570-2729 | 7 | | | | |
| 27 | Siderail N/A | 74570-4289 | 2 | 57 | Radio Bezel N/A | 74570-2719 | 1 | | | | |
| 28 | Rear Axle (N/A) | 78608-4539 | 1 | 58 | Radio Dial N/A | 74570-9739 | 1 | | | | |
| 29 | Wheel N/A | 74570-2469 | 4 | 59 | Dash N/A | 74570-2359 | 1 | | | | |
| 30 | Wheel Spacer (N/A) | 78608-2429 | 2 | 60 | Seat N/A | 76817-2309 | 1 | | | | |

PARTS NOT SHOWN

| | | |
|--------------------------|------------|---|
| Literature Bag (N/A) | 80034-0474 | 1 |
| Decal Main (subbed) N/A | 80017-0243 | 1 |
| Decal Radiator Sheet N/A | 74560-6029 | 1 |
| #10 x 1/2" Screw | 0801-0255 | 2 |



*See Service Bulletin 142 **Bold and Underlined parts are to be purchased and installed by Service Centers only. These items may not be sold directly to consumers by Service Centers or Fisher-Price.**