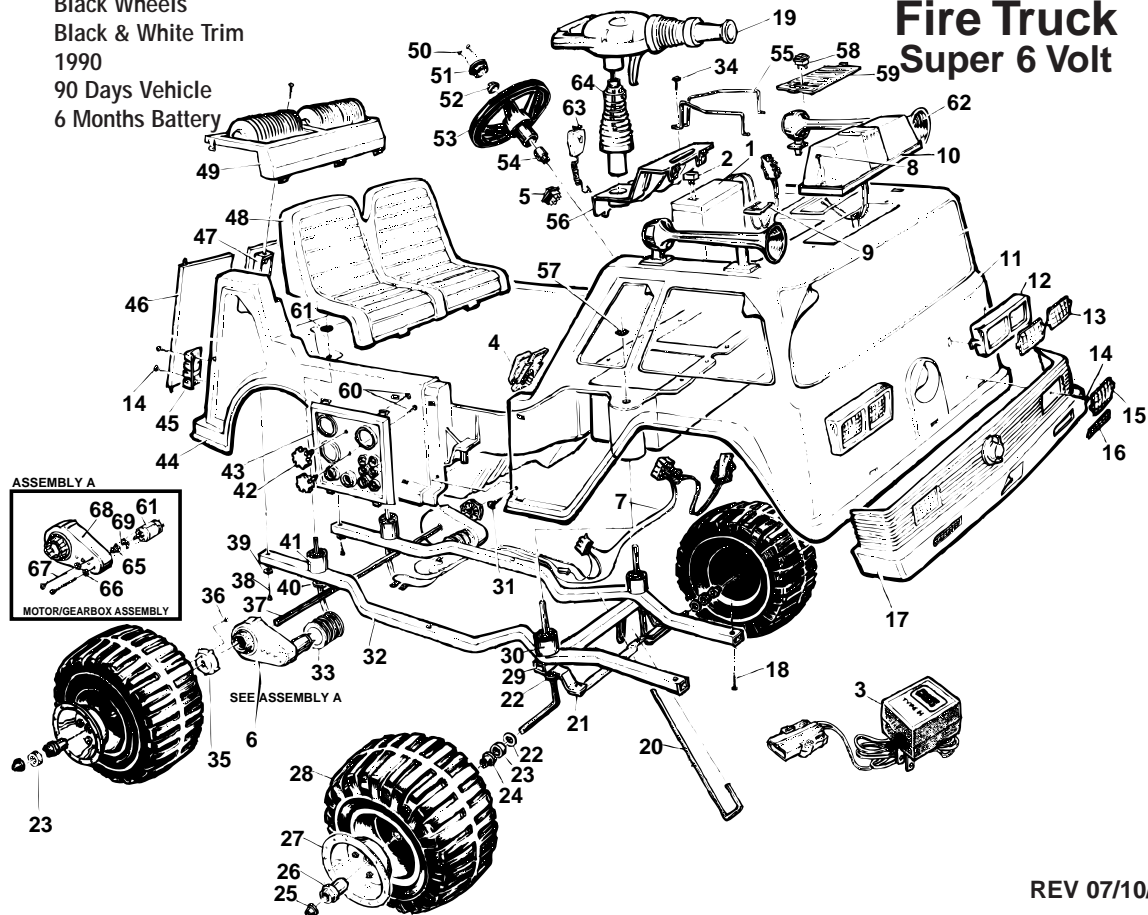


Age Range: 3-7 Yrs.
 Weight Limit: 65 Lbs.
 Surfaces: Hard, Grass & Carpet
 Speed: 3.5 MPH Forward
 3.5 MPH Reverse
 Colors: Red Body
 Black Wheels
 Black & White Trim
 Intro: 1990
 Warranty: 90 Days Vehicle
 6 Months Battery

This product is affected by the PW recall announced Oct 1998.
 Please confirm that the product is modified or remediated in
 accordance with policy.
76190-9993 / 85500

Fire Truck Super 6 Volt



REV 07/10/03

| Item No. | Description | Part No. | Qty. | Item No. | Description | Part No. | Qty. | Item No. | Description | Part No. | Qty. |
|----------|--|-------------------|------|----------|-------------------------------|------------|------|------------------------|----------------------------|-------------------|------|
| 01 | **Battery, Type H | 00801-0712 | 1 | 25 | .437 Cap Nut | 0801-0226 | 4 | 53 | Steering Wheel | 74440-2379 | 1 |
| 2 | Thermal Fuse | 0801-0153 | 1 | 26 | Hex Bushing w/Exten N/A | 80009-0001 | 4 | 54 | Steering Column Bushing | 75560-2259 | 1 |
| 3 | ** Charger, Super 6 (Type H) | 00801-0974 | 1 | 27 | Hubcap | 74590-2579 | 4 | 55 | Battery Retainer (N/A) | 80047-0004 | 1 |
| 4 | Footboard Assembly | 76817-9159 | 1 | 28 | Wheel N/A | 76188-2459 | 4 | 56 | Battery Door (N/A) | 80018-0003 | 1 |
| 5 | ** Control Switch | 74180-9519 | 1 | 29 | Front Frame Support (N/A) | 80051-0021 | 1 | 57 | .437 Retainer w/o Body | 0801-0226 | 2 |
| 6 | 3B Motor/Gearbox Assy | 75560-0640 | 2 | 30 | Front Bushing N/A | 73233-2539 | 2 | 58 | Siren Switch (N/A) | 80014-0074 | 1 |
| 7 | ** <u>Wiring Harness (N/A)</u> | <u>80064-0045</u> | 1 | 31 | Christmas Tree Fastener (N/A) | 80010-0018 | 2 | 59 | Switch Plate (N/A) | 80001-0029 | 1 |
| 8 | #8 x 3/4" Phillips Panhead Screw | 0801-0223 | 2 | 32 | Siderail (N/A) | 80051-0023 | 2 | 60 | #6 x 3/8" Trushd Screw N/A | 0801-0219 | 4 |
| 9 | Battery U-Clip N/A | 74570-2669 | 1 | 33 | Motor Cover N/A | 74750-2359 | 2 | 61 | <u>Motor w/pinion N/A</u> | <u>74580-9539</u> | 2 |
| 10 | Siren (N/A) | 80030-0021 | 1 | 34 | #8 x 7/8" Trusshead Screw | 0801-0228 | 1 | 62 | Horn N/A | 80032-0008 | 2 |
| 11 | Front Body (N/A) | 80005-0055 | 1 | 35 | Driver | 73233-2239 | 2 | 63 | Microphone | 73233-9479 | 1 |
| 12 | Headlight Housing (N/A) | 80030-0001 | 2 | 36 | #10 x 1/2" Phillips Screw | 0801-0255 | 2 | 64 | Water Bottle N/A | 80001-0033 | 1 |
| 13 | Headlight Lens (N/A) | 80030-0007 | 4 | 37 | Rear Axle Assembly N/A | 76817-4559 | 1 | 65 | Motor Drive Gear | 74550-2269 | 2 |
| 14 | #8 x 1/2" Phillips Panhead Screw | 0801-0202 | 7 | 38 | #8 x 1-1/4" Plascrow N/A | 80006-0090 | 2 | 66 | <u>Star Washer N/A</u> | <u>0801-0330</u> | 4 |
| 15 | Bumper Light (Red) (N/A) | 80030-0008 | 2 | 39 | 1-1/8" Fender Washer (N/A) | 80061-0027 | 2 | 67 | <u>Motor Bolt</u> | <u>0801-0269</u> | 4 |
| 16 | Parking Lights (N/A) | 78640-2759 | 2 | 40 | Washer, 5/16" | 0801-0253 | 2 | 68 | <u>3B Gearbox</u> | <u>74550-9279</u> | 2 |
| 17 | Grill Bumper (N/A) | 80065-0001 | 1 | 41 | Rear Bushing N/A | 73233-2549 | 2 | 69 | D Lock Washer | 0801-0329 | 2 |
| 18 | #8 x 7/8" Phillips Panhead Screw (N/A) | 80006-0086 | 2 | 42 | Cluster Box Knobs N/A | 80014-0001 | 4 | PARTS NOT SHOWN | | | |
| 19 | Water Cannon Assy (N/A) | 76107-9439 | 1 | 43 | Right Cluster Box (N/A) | 80001-0091 | 1 | | Left Cluster Box (N/A) | 80001-0090 | 1 |
| 20 | Steering Column | 74560-4239 | 1 | 44 | Rear Body (N/A) | 80005-0059 | 1 | | Siren Battery Cover N/A | 80030-0017 | 1 |
| 21 | Steering Linkage | 76817-4229 | 1 | 45 | Taillight Set N/A | 78640-2279 | 1 | | Literature Bag (N/A) | 80044-0126 | 1 |
| 22 | Washer 7/16" | 0801-0196 | 4 | 46 | Rear Door Set N/A | 80018-0067 | 1 | | Decal Sheet N/A | 80017-0045 | 1 |
| 23 | Wheel Spacer (N/A) | 80052-0003 | 4 | 47 | Rear Door Support/Stop (N/A) | 80018-0016 | 1 | | Use & Care Manual N/A | 76190-CCCC | 1 |
| 24 | Round Bushing | 74550-2689 | 2 | 48 | Seat | 76817-2309 | 1 | | | | |
| | | | | 49 | Rear Panel Cover (N/A) | 80057-0005 | 1 | | | | |
| | | | | 50 | 1" Plastilock Screw | 0801-0224 | 2 | | | | |
| | | | | 51 | Steering Wheel Cap | 74550-2729 | 1 | | | | |
| | | | | 52 | .354 Cap Nut | 0801-0604 | 3 | | | | |

** See Service Bulletin 138

Bold and Underlined parts are to be purchased and installed by Service Centers only. These items may not be sold directly to consumers by Service Centers or Fisher-Price.

