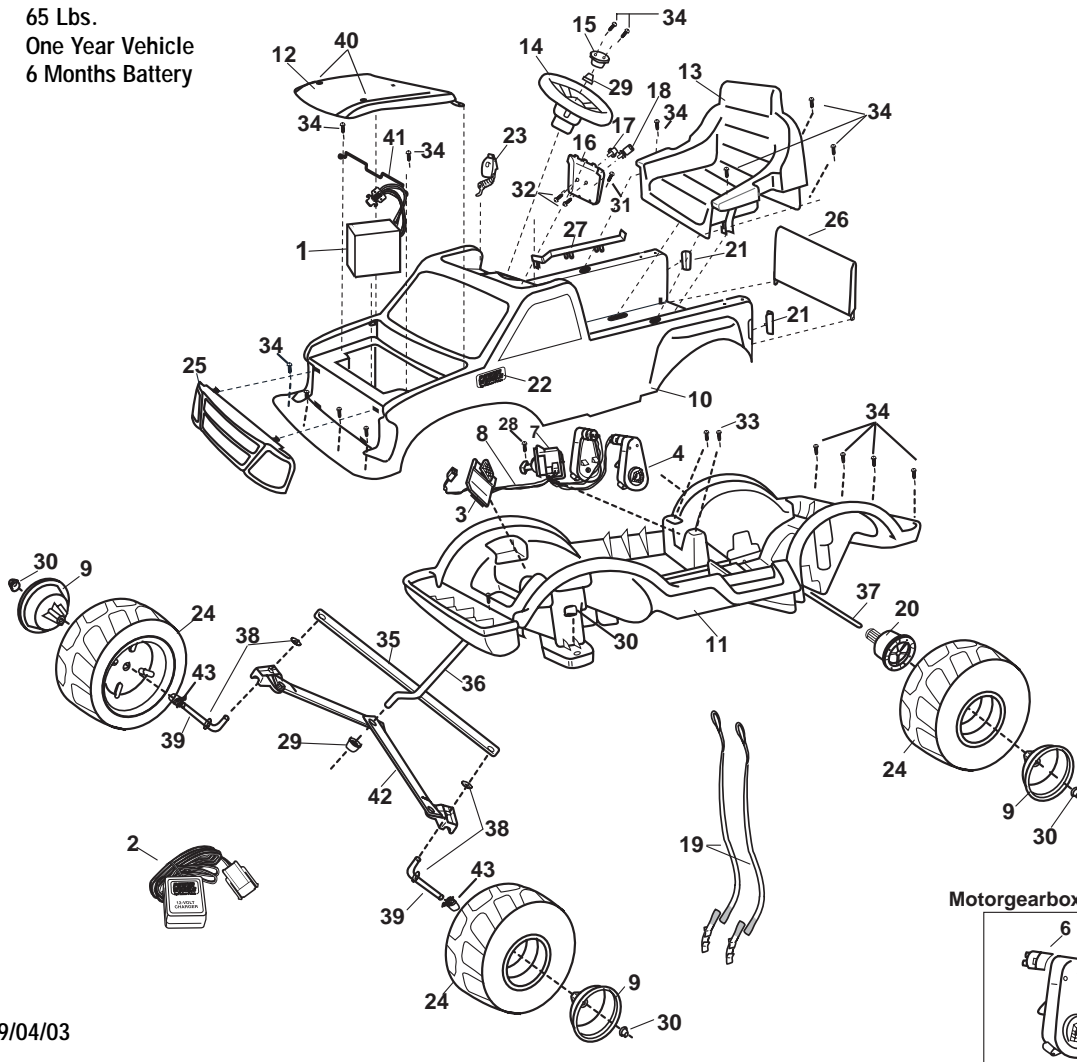


Age Range: 3-6 Yrs.  
 Weight Limit: 65 Lbs.  
 Surfaces: Hard, Grass & Asphalt  
 Speed: 3.5 MPH Forward & Reverse  
 Colors: Blue Body  
 Silver Trim  
 Intro: 8/99  
 Suggested Retail: \$149.99  
 Box Dimensions: 49" x 25" x 31"  
 65 Lbs.  
 Warranty: One Year Vehicle  
 6 Months Battery

# 75548-9993

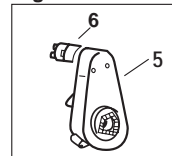
## Ford Off-Road 4 x 4

Walmart exclusive  
 Preschool Series  
 Super 6 Volt



Rev. 09/04/03

Motorgearbox Assembly



| Item No.                          | Description                    | Part No.          | Qty. | Item No.        | Description                  | Part No.   | Qty. | Item No.               | Description          | Part No.   | Qty. |
|-----------------------------------|--------------------------------|-------------------|------|-----------------|------------------------------|------------|------|------------------------|----------------------|------------|------|
| <b>Working / Electrical Parts</b> |                                |                   |      | 18              | Key                          | 75547-2049 | 1    | 37                     | Rear Axle            | 74420-4519 | 1    |
| 1                                 | 6 Volt Battery                 | 00801-0712        | 1    | 19              | Seatbelt Set (2 pcs.)        | 74210-5519 | 1    | 38                     | 7/16" Washer         | 0801-0196  | 4    |
| 2                                 | Super 6 Volt Charger           | 00801-0974        | 1    | 20              | Driver                       | 74440-2229 | 2    | 39                     | Front Axle           | 74420-4509 | 2    |
| 3                                 | Footboard Assembly             | 74440-9829        | 1    | 21              | Taillight Lens Set           | 74420-2059 | 1    | 40                     | Lock Fastener        | 78570-2439 | 2    |
| 4                                 | <b>#3B Gearbox w/Motor</b>     | <b>74180-9519</b> | 2    | 22              | PW Emblem                    | 74460-9069 | 2    | 41                     | Battery Retainer     | 74420-4019 | 1    |
| 5                                 | <b>#3B Gearbox w/Out Motor</b> | <b>74550-9279</b> | 1    | 23              | Microphone                   | 74760-9479 | 1    | 42                     | Steering Linkage N/A | 74420-4289 | 1    |
| 6                                 | <b>Motor w/Pinion</b>          | <b>74580-9539</b> | 2    | 24              | Wheel                        | 74420-2459 | 4    | 43                     | Axle Bushing         | 74550-2689 | 2    |
| 7                                 | Shifter Assy.                  | 75547-9439        | 1    | 25              | Grille                       | 75547-214A | 1    | <b>Parts Not Shown</b> |                      |            |      |
| 8                                 | <b>Wire Harness Assm.</b>      | <b>78474-9889</b> | 1    | 26              | Tailgate                     | 75548-213A | 1    | Main Decal             | 75548-0310           | 1          |      |
| <b>Plastic Parts / Other</b>      |                                |                   |      | 27              | Channel Cover                | 74210-2039 | 1    | Literature Bag N/A     | 75548-9019           | 1          |      |
| 9                                 | Hubcap N/A                     | 75548-2079        | 4    | <b>Hardware</b> |                              |            |      | Large Parts Bag N/A    | 75548-9249           | 1          |      |
| 10                                | Vehicle Body (N/A)             | 75548-210A        | 1    | 28              | 1" High Speed Lock Out Screw | 0801-0254  | 1    | Small Parts Bag N/A    | 75548-9259           | 1          |      |
| 11                                | Tub (N/A)                      | 74240-2119        | 1    | 29              | .354 Cap Nut                 | 0801-0604  | 2    | Owner's Manual         | 75548-0920           | 1          |      |
| 12                                | Hood                           | 75548-212A        | 1    | 30              | .437 Cap Nut                 | 0801-0226  | 6    | Hardware Bag           | 74210-9259A          | 1          |      |
| 13                                | Seat                           | 75548-2309        | 1    | 31              | #6 x 1/2" Screw              | 0801-0222  | 2    |                        |                      |            |      |
| 14                                | Steering Wheel                 | 74440-2379        | 1    | 32              | #6 x 3/8" Screw N/A          | 0801-0219  | 2    |                        |                      |            |      |
| 15                                | Steering Wheel Cap             | 74550-2729        | 1    | 33              | #8 x 7/8" Trusshead Screw    | 0801-0228  | 2    |                        |                      |            |      |
| 16                                | Dash (Soundbox) Cover N/A      | 75548-2099        | 1    | 34              | #8 x 1" Screw (Black) N/A    | 0801-0224  | 16   |                        |                      |            |      |
| 17                                | Dash Knob                      | 75547-2089        | 1    | 35              | Crossbar N/A                 | 74420-4259 | 1    |                        |                      |            |      |
|                                   |                                |                   |      | 36              | Steering Column              | 74420-4239 | 1    |                        |                      |            |      |

**N/A = Not Available** **Bold and Underlined parts are to be purchased and installed by Service Centers only. These items may not be sold directly to consumers by Service Centers or Fisher-Price.**

