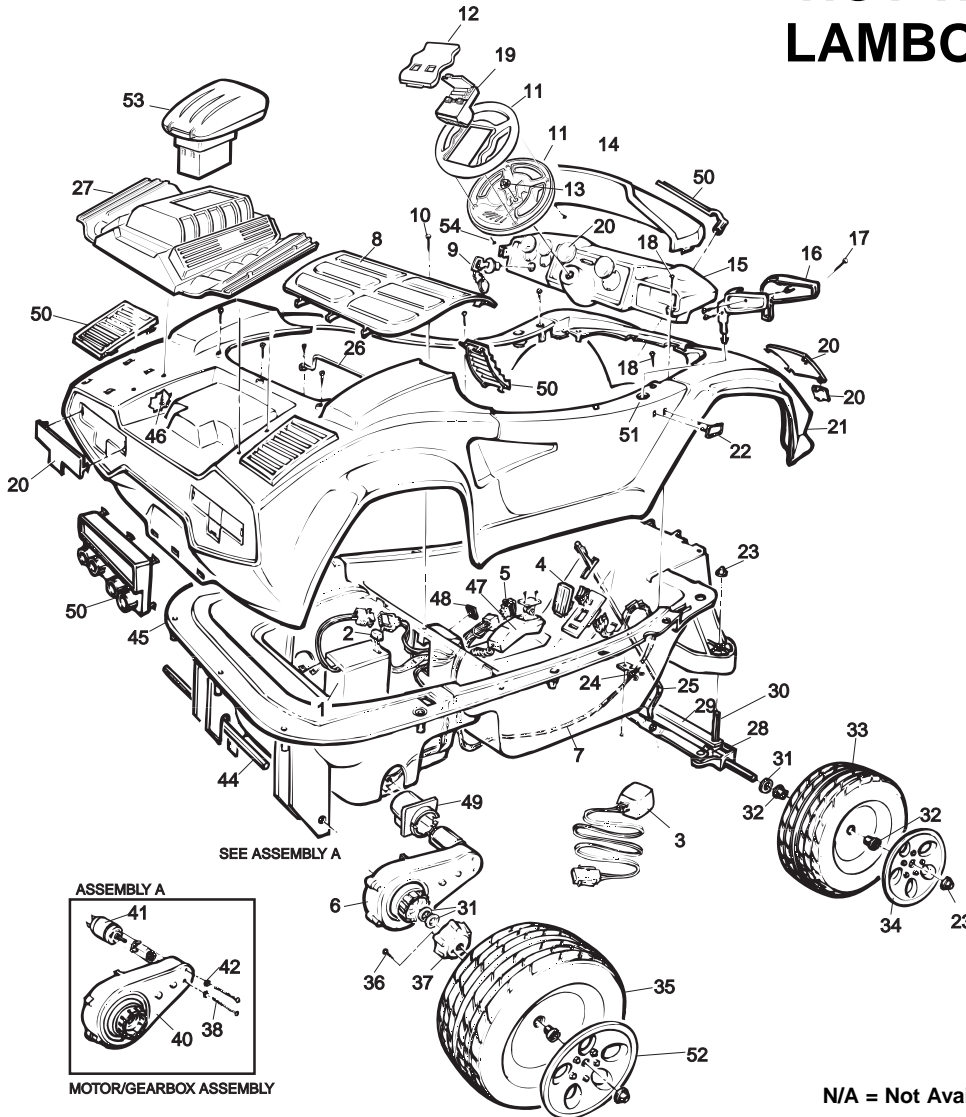


This product is affected by the PW recall announced Oct 1998. Please confirm that the product is modified or remediated in accordance with policy.

# 74580-9993 HOT WHEELS™ LAMBORGHINI®



**Age Range:** 3-6 Years  
**Weight Limit:** 65 Lbs.  
**Surfaces:** Hard, Grass  
**Speed:** 3.5 MPH  
**Colors:** Blue Body  
 Flame Trim  
**Avail:** 4-17-95 - 1997

N/A = Not Available

REV. 01/12/04

| Item No. | Description                                 | Part No.          | Qty.     | Item No.  | Description             | Part No.          | Qty.     | Item No.               | Description                   | Part No.   | Qty. |
|----------|---|-------------------|----------|-----------|-------------------------|-------------------|----------|------------------------|-------------------------------|------------|------|
| 1        | Battery                                     | 00801-0712        | 1        | 21        | Body (N/A)              | 74580-2109        | 1        | 45                     | Tub (N/A)                     | 74580-2179 | 1    |
| 2        | Thermal Fuse                                | 0801-0711         | 1        | 22        | Power Wheels Emblem Set | 74460-9069        | 1        | 46                     | #10 x 1" Screw                | 0801-0220  | 1    |
| 3        | Charger                                     | 00801-0974        | 1        | 23        | .437 Cap Nut            | 0801-0226         | 6        | 47                     | Phone N/A                     | 74580-9469 | 1    |
| 4        | Foot Board Assembly                         | 74550-9159        | 1        | 24        | Wire Retainer           | 74550-2299        | 1        | 48                     | Switch Hole Cover N/A         | 76188-2449 | 1    |
| 5        | Control Switch                              | 00801-0885        | 1        | 25        | Steering Column N/A     | 74580-4249        | 1        | 49                     | Motor Cover Right N/A         | 74580-2119 | 1    |
| 6        | Motor/Gearbox Assembly (Including #38 - 43) | 76804-9519        | 2        | 26        | Battery Retainer N/A    | 76181-4419        | 1        | 50                     | Wiper/Pipe/Louvre Set N/A     | 78660-9429 | 1    |
| <u>7</u> | <u>Wiring Harn (H Style) N/A</u>            | <u>78580-9799</u> | <u>1</u> | 27        | Super Charger N/A       | 74580-4049        | 1        | 51                     | Washer N/A                    | 0801-0195  | 4    |
|          | <u>Wiring Harn (A Style) N/A</u>            | <u>78580-9899</u> | <u>1</u> | 28        | Steering Linkage N/A    | 76804-4259        | 1        | 52                     | Rear Hub Cap (White) N/A      | 78660-2129 | 2    |
| 8        | Seat (N/A)                                  | 74580-2309        | 1        | 29        | Cross Bar N/A           | 76804-4449        | 1        | 53                     | Air Scoop N/A                 | 74580-2139 | 1    |
| 9        | Key N/A                                     | 74550-2439        | 1        | 30        | Front Axle N/A          | 76804-4529        | 1        | 54                     | #6 x 1/2" Screw               | 0801-0222  | 4    |
| 10       | #8 x 7/8" Screw                             | 0801-0228         | 15       | 31        | 7/16" Washer            | 0801-0196         | 6        | <b>PARTS NOT SHOWN</b> |                               |            |      |
| 11       | Steering Wheel N/A                          | 74580-2619        | 1        | 32        | Wheel Bushing           | 74550-2689        | 6        |                        | Motor Cover, Left N/A         | 74580-2129 | 1    |
| 12       | Steering Wheel Plate                        | 74526-2759        | 1        | 33        | Front Wheel N/A         | 76804-2459        | 2        |                        | Literature Bag N/A            | 74580-9039 | 1    |
| 13       | .354 Retainer                               | 0801-0548         | 2        | 34        | Front Hub Cap (red) N/A | 74580-2189        | 2        |                        | Main Decal N/A                | 74580-0310 | 1    |
| 14       | Windshield N/A                              | 76804-2729        | 1        | 35        | Rear Wheel N/A          | 73221-2459        | 2        |                        | Windshield Decal N/A          | 78580-6019 | 1    |
| 15       | Dash N/A                                    | 74580-2349        | 1        | 36        | #10 x 1/2" Screw        | 0801-0255         | 2        |                        | Front Body Support N/A        | 76804-4469 | 2    |
| 16       | Mirror Set N/A                              | 74580-2079        | 1        | 37        | Wheel Driver N/A        | 74550-2239        | 2        |                        | Paper Decal (Small parts N/A) | 74580-0320 | 1    |
| 17       | Mirror Screws                               | 0801-0222         | 4        | <u>38</u> | <u>Motor Bolts</u>      | <u>0801-0269</u>  | <u>2</u> |                        | Chrome Decal (in lit bag) N/A | 74580-0330 | 1    |
| 18       | #8 x 1-1/2" Dash Screws                     | 0801-0308         | 2        | <u>40</u> | <u>Gear Box</u>         | <u>74780-9509</u> | <u>1</u> |                        |                               |            |      |
| 19       | Sound Box N/A                               | 74540-9449        | 1        | <u>41</u> | <u>Motor w/Pinion</u>   | <u>74580-9539</u> | <u>1</u> |                        |                               |            |      |
| 20       | Headlight Lens Set N/A                      | 74580-9159        | 1        | <u>42</u> | <u>Star Washer N/A</u>  | <u>0801-0330</u>  | <u>2</u> |                        |                               |            |      |
|          |   |                   |          | 44        | Rear Axle N/A           | 76804-4539        | 1        |                        |                               |            |      |

**Bold and Underlined parts are to be purchased and installed by Service Centers only. These items may not be sold directly to consumers by Service Centers or Fisher-Price.**

