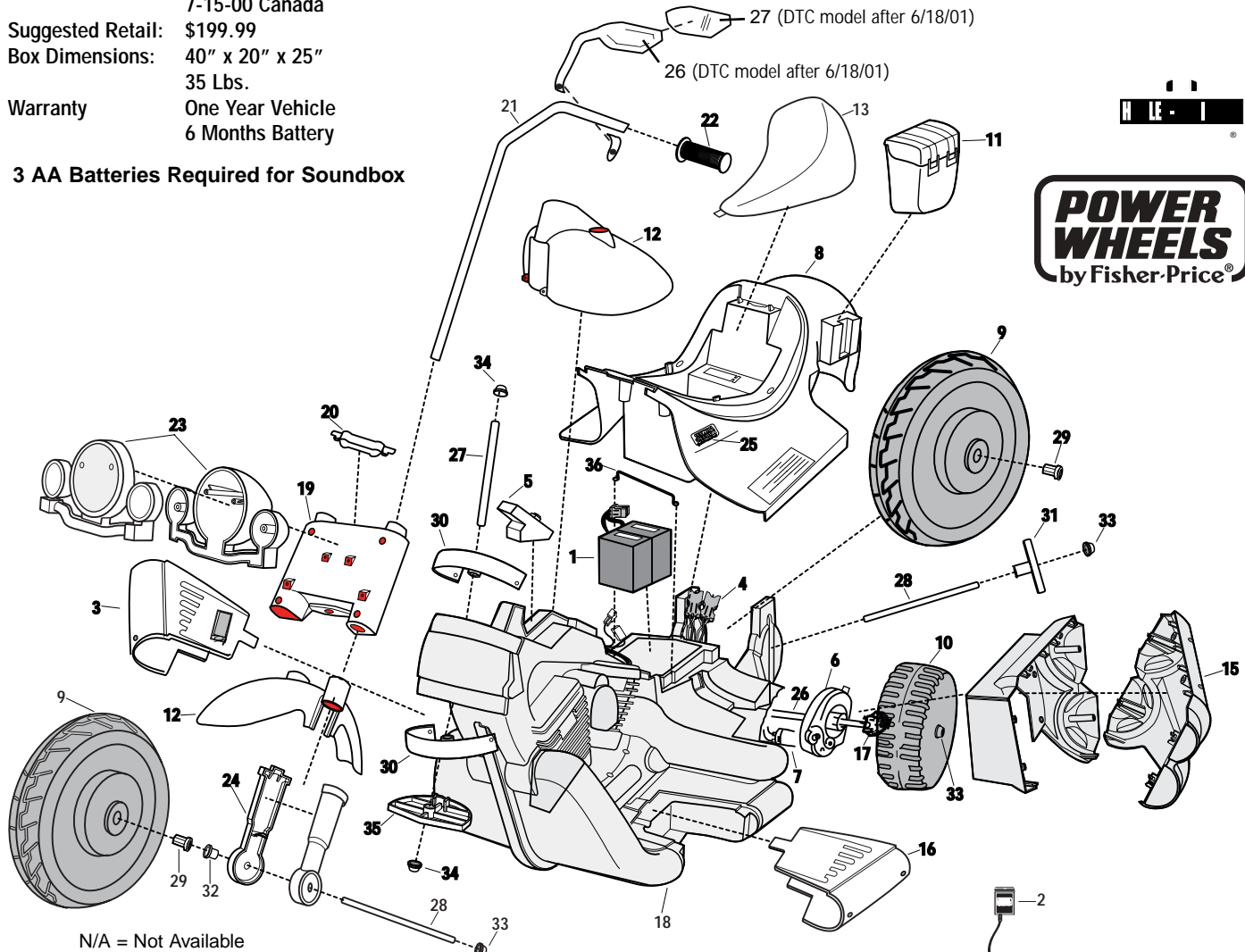


74370-9993 Harley Davidson Motorcycles made before 3/4/02

Age Range: 3-7 Yrs.
 Weight Limit: 65 Lbs.
 Surfaces: Grass & Hard
 Speed: 2.5 / 5.0 MPH Forward
 2.5 MPH Reverse
 Colors: Pink Body
 Flame Trim
 Intro: 5-29-00 U.S.
 7-15-00 Canada
 Suggested Retail: \$199.99
 Box Dimensions: 40" x 20" x 25"
 35 Lbs.
 Warranty: One Year Vehicle
 6 Months Battery

74370-9993 Barbie Harley Davidson® Motorcycle Advanced Series Non H.E. 12 Volt



N/A = Not Available

Rev.11/01/04

Item No.	Description	Part No.	Qty.	Item No.	Description	Part No.	Qty.	Item No.	Description	Part No.	Qty.
Working / Electrical Parts											
1	6 Volt Battery	00801-0712	2	17	Driver	73233-2239	2	32	Bushing (round/black)	74550-2689	2
2	12V Charger	00801-0973	1	18	Frame (incl. L & R sides)	N/A 74370-9219	1	33	.437 Cap Nut	0801-0226	6
3	Right Footboard w/switch	74370-9239	1	19	Fork (upper)	74370-2349	1	34	.354 Cap Nut	0801-0604	3
When sending the footboard assm please order instruction #74290-0922 for consumer											
4	Wiring Harness Assembly	74290-9799	1	20	Fork Cover	74370-2389	1	35	Steering Stop	74370-2369	1
5	Soundbox	74290-9559	1	21	Handlebar Set (banded)	74370-9029	1	36	Battery Retainer	74290-4419	1
6	#7 Motor Gearbox Assm.	00968-2901	2	22	Handgrip	74370-2399	2	Parts Not Shown			
7	Motor w/Pinion	74290-9539	2	23	Headlight Assembly	N/A 74370-9289	1	Decal Sheet	74370-0420	1	1
Plastic / Other Parts											
8	Body (N/A)	74370-2109	1	24	Shock Set (banded)	74370-9329	1	Literature Bag	N/A 74370-9019	1	1
9	Large Wheel	74290-2159	2	25	PW Emblem	74460-9069	2	Owner's Manual	N/A 74370-0920	1	1
10	Drive Wheel (Small)	74290-2269	2	26	Mirror Left (DTC model only after 6/18/01)	75209-2449	1	Small Parts Bag	74370-9139A	1	1
11	Saddle Bag	74370-2129	2	27	Lens Set (DTC model only after 6/18/01)	75209-2459	1	Hardware Bag	74290-9279	1	1
12	Front Fender & Gas Tank	N/A 74370-214A	1	Hardware / Metal Parts							
13	Seat	74290-2309	1	26	Axle (drive wheel)	74290-4509	1	Large Parts Bag	74370-9049	1	1
15	Exhaust Set (banded)	74370-9169	1	27	Axle (fork)	74290-4529	1	Gearbox W/Out Motor	00968-2801	1	1
16	Footboard / Left	74370-2249	1	28	Axle (wheel)	74290-4519	2	Control Switch (Forward/Reverse)	00801-0885	2	2
Hardware / Metal Parts											
				29	Bushing (hex)	73233-2559	4	3/4" Plastite Screw	0912-8001	55	55
				30	Bushing (steering)	74370-2359	2	Footswitch	00801-0933	1	1
				31	Bushing (axle/silver)	74370-2379	2	Mirror Right (DTC model only after 6/18/01)	75209-2469	1	1

Bold and Underlined parts are to be purchased and installed by Service Centers only. These items may not be sold directly to consumers by Service Centers or Fisher-Price.