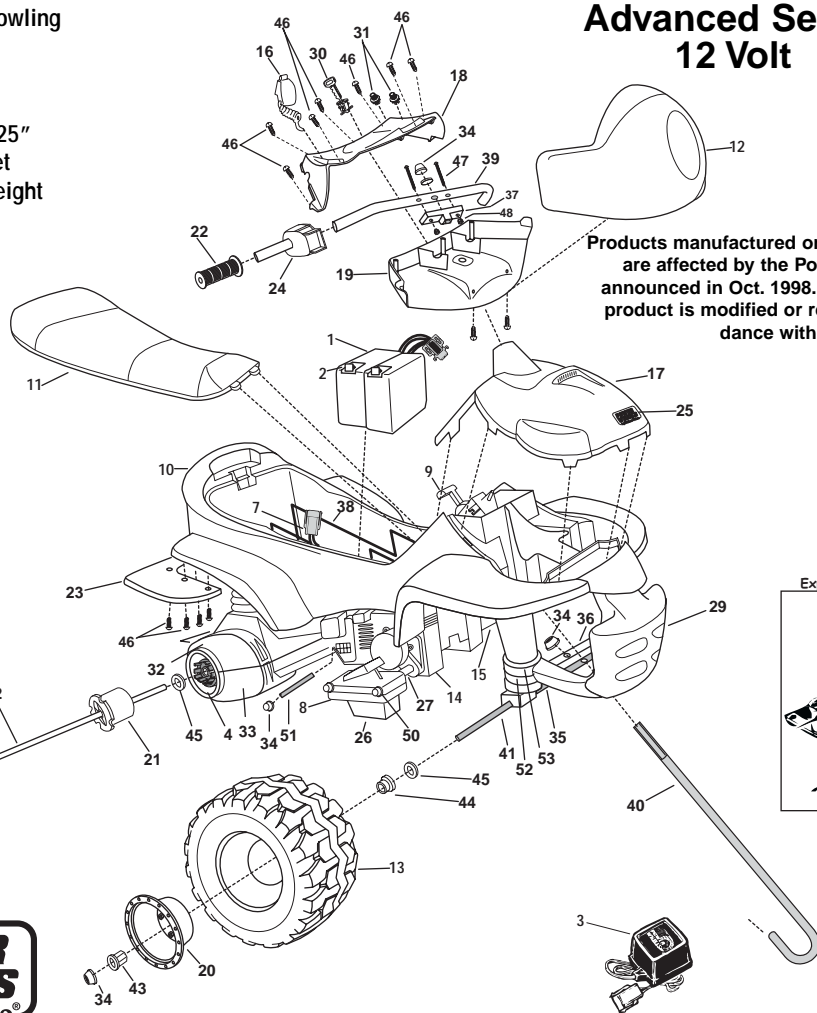
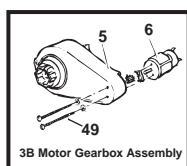


Age Range: 3-7 Yrs.  
 Weight Limit: 65 Lbs.  
 Surfaces: Hard, Grass & Hills  
 Speed: 2.5 & 5.0 MPH Forward  
 2.5 MPH Reverse  
 Colors: Black Body & Wheels  
 Green Seat & Cowling  
 Yellow Trim  
 Intro: 12-14-98  
 Suggested Retail: \$179.99  
 Box Dimensions: 40.25" x 19" x 25"  
 11.12 Cubic Feet  
 51 Lbs. Ship Weight

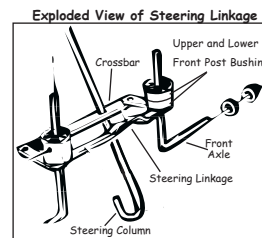
# 74110-9993 Kawasaki® Ninja®

## Advanced Series 12 Volt

Service bulletin 160  
 Service bulletin 162



Products manufactured on or prior to 2/15/1999 are affected by the Power Wheels recall announced in Oct. 1998. Please confirm that product is modified or remediated in accordance with policy



Rev 10/02/03

| Item No.                          | Description                       | Part No.          | Qty.     | Item No.                      | Description                 | Part No.         | Qty.     | Item No.   | Description              | Part No.   | Qty. |
|-----------------------------------|-----------------------------------|-------------------|----------|-------------------------------|-----------------------------|------------------|----------|--|--------------------------|------------|------|
| <b>Working / Electrical Parts</b> |                                   |                   |          |                               |                             |                  |          |  |                          |            |      |
| 1                                 | * Battery                         | 00801-0712        | 2        | 22                            | Handgrip Set                | 74110-9229       | 1        | 50   | .354 Cap Nut (black)     | 0801-0604  | 4    |
| 2                                 | Thermal Fuse                      | 00801-0711        | 2        | 23                            | Mud Flap Set                | 74110-9289       | 1        | 51   | Motor Rod Lower          | 74110-4569 | 1    |
| 3                                 | * †12V Charger                    | 00801-0973        | 1        | 24                            | Sound Box Assembly          | 74750-9449       | 1        | 52   | Front Post Bushing Lower | 74110-2639 | 2    |
| 4                                 | <b>3B Motor Gearbox Assembly</b>  | <b>74110-9519</b> | <b>2</b> | 25                            | PW Emblem                   | 74460-9069       | 1        | 53   | Front Post Bushing Upper | 74110-2129 | 2    |
| 5                                 | <b>Gearbox W/out Motor</b>        | <b>74550-9279</b> | <b>2</b> | 26                            | Footboard / Lower           | 74110-2179       | 1        | <b>Parts Not Shown</b>                             |                          |            |      |
| 6                                 | <b>Motor Pinion Assembly</b>      | <b>74110-9539</b> | <b>2</b> | 27                            | Footboard Support           | 76262-4439       | 2        | Footrest   | 74110-2189               |            | 1    |
| 7                                 | <b>Wiring Harness: Motor</b>      | <b>74110-9799</b> | <b>1</b> | 29                            | Brushguard                  | 74110-2079       | 1        | Motor Housing Bottom                               | 74110-2159               |            | 1    |
| 7                                 | <b>* Wiring Harness: Shifter</b>  | <b>74110-9889</b> | <b>1</b> | 30                            | Key Housing Assm.           | 78490-9369       | 1        | Motor Housing Top                                  | 74110-2149               |            | 1*   |
| 8                                 | Footboard Assembly                | 74110-9169        | 1        | 31                            | Radio Knob                  | 74510-2149       | 2        | #8 x 3/4" Phillips Screw for housings              |                          |            |      |
| 9                                 | <b>Shifter w/harness assembly</b> | <b>73690-0973</b> | <b>1</b> | <b>Hardware / Metal Parts</b> |                             |                  |          |  |                          |            |      |
|                                   | Shifter Assm.                     | 74110-9439        | 1        | 34                            | .437 Cap Nut - (black)      | 0801-0226        | 6        | †Large Parts Bag N/A Please order parts separately |                          |            |      |
|                                   | Lock out Screw                    | 0801-0254         | 1        | 35                            | Steering Linkage Assm.      | 74110-9239       | 1        | 74110-9349 1                                       |                          |            |      |
| <b>Plastic / Other Parts</b>      |                                   |                   |          |                               |                             |                  |          |  |                          |            |      |
| 10                                | Body (N/A)                        | 74110-9109        | 1        | 36                            | Crossbar                    | 73690-4649       | 1        | * †Small Parts Bag (no longer made) 74110-9359 1   |                          |            |      |
| 11                                | Seat                              | 74110-2309        | 1        | 37                            | Powdered Metal Neck         | 76816-4289       | 1        | Hardware Bag 74110-9279 1                          |                          |            |      |
| 12                                | Fairing / Front                   | 74110-274A        | 1        | 38                            | * Battery Retainer          | 78490-4029       | 1        | * †Literature Bag 74110-9029 1                     |                          |            |      |
| 13                                | Wheel                             | 74110-2469        | 4        | 39                            | Handlebar                   | 74750-4229       | 1        | * †Owner's Manual (N/A) 74110-0920 1               |                          |            |      |
| 14                                | False Motor Cover / Right         | 74110-2059        | 1        | 40                            | Steering Column             | 74110-4249       | 1        | Decal Sheet 74110-0310 1                           |                          |            |      |
| 15                                | False Motor Cover / Left          | 74110-2069        | 1        | 41                            | Front Axle                  | 74110-4509       | 2        | Clip Adhesive 0801-0313 1                          |                          |            |      |
| 16                                | Microphone                        | 74110-9479        | 1        | 42                            | Rear Axle (21.8")           | 74110-4549       | 1        | 12 Volt Remediation Kit 0801-0715 1                |                          |            |      |
| 17                                | Cowling Assembly                  | 74110-9099        | 1        | 43                            | Hex Bushing                 | 73233-2559       | 4        | <b>Shifter Switch</b> <b>00801-0923</b> 1          |                          |            |      |
| 18                                | Dash - Upper                      | 74110-275A        | 1        | 44                            | Axle Bushing                | 74550-2689       | 2        | Capnut tool 78640-2629 1                           |                          |            |      |
| 19                                | Dash - Lower No sub.              | 74110-2769        | 1        | 45                            | 7/16" Washer                | 0801-0196        | 6        |  |                          |            |      |
| 20                                | Hubcap                            | 74110-2579        | 4        | 46                            | #8 x 3/4" Phillips Screw    | 0801-0223        | 19       |  |                          |            |      |
| 21                                | Driver (10 Rib)                   | 74460-2249        | 2        | 47                            | #10 x 1-1/2" Phillips Screw | 76222-4459       | 2        |  |                          |            |      |
|                                   |                                   |                   |          | 48                            | #10 Nylock Lock Nut         | 0801-0318        | 2        |  |                          |            |      |
|                                   |                                   |                   |          | 49                            | <b>Motor Bolts</b>          | <b>0801-0269</b> | <b>2</b> |  |                          |            |      |

\* = See Service Bulletin 162 † See Service Bulletin 160 if made after 2-15-99

N/A = Not Available

**Bold and Underlined parts are to be purchased and installed by Service Centers only. These items may not be sold directly to consumers by Service Centers or Fisher-Price.**