

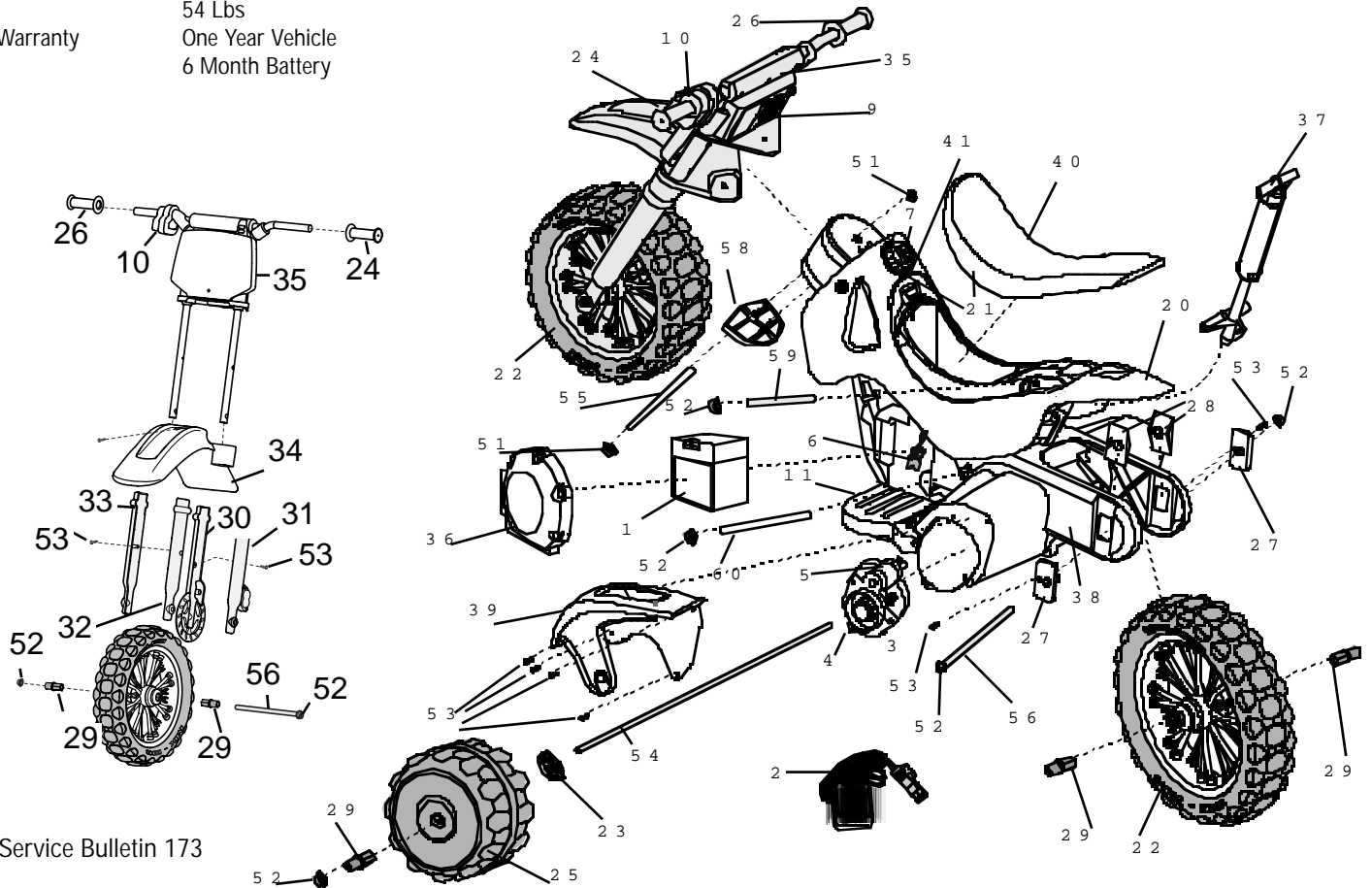
Age Range: 3 to 6 years  
 Weight Limit: 65 Lbs  
 Surfaces: Hard and grass  
 Speed: 2.5/5.0 mph Forward  
 2.5 mph Reverse  
 Colors: White and Green  
 Intro: 2002  
 Suggested Retail: \$249.00  
 Box Dimensions: 19.875 X 25.75 X 35.75  
 54 Lbs  
 Warranty: One Year Vehicle  
 6 Month Battery



73600-9993

Dirt Bike

Advanced Series 12 Volt  
 Before 6/24/04



Service Bulletin 173

Item No.	Description	Part No.	Qty.	Item No.	Description	Part No.	Qty.	Item No.	Description	Part No.	Qty.
<b>Working / Electrical Parts</b>				Please Order Shock Parts Bag				<b>Parts Not Shown</b>			
1	Battery	00801-0638	1	32	Right Inside Shock N/A	73600-2669	1		Large Parts Bag	3800-6982	1
2	Charger (Fused w/probe)	00801-0972	1		Please Order Shock Parts Bag				Shock Parts Bag	3800-6960	1
3	<b>Motor Gearbox Assembly</b>	<b>00968-2901</b>	2	33	Right Outside Shock N/A	73600-2679	1		Hardware Bag	73600-9279	1
4	<b>#7 Gearbox W/out Motor</b>	<b>00968-2801</b>	2		Please Order Shock Parts Bag				Owner's Manual	73600-0920	1
5	<b>Motor Pinion Assembly</b>	<b>74290-9539</b>	2	34	Front Fender Assm w/Logo	3800-6794	1		Decal Sheet	73600-0310	1
6	<b>Main Harness Assembly</b>	<b>3800-6975</b>	1	35	Front Fork Assm.	3800-6958	1		<b>PC Board</b>	<b>74287-9729</b>	1
7	Control Switch F/R	00801-1198	1	36	Battery Cover Assm.	3800-6953	1		<b>Foot Switch (Plunger Type)</b>	<b>00801-0933</b>	1
9	Soundbox	73600-9549	1	37	Mono Shock Assm.	3800-6959	1		Right Footboard Assm.	3800-6957	1
10	Turbo Switch assembly	73600-9719	1	38	Frame w/Battery Retainer N/A	73600-9209	1		Footboard Cover	73600-2249	1
11	Left footboard Assm.	3800-6956	1	39	Fender Set (Left and right)	3800-6796	1				
<b>Plastic / Other Parts</b>				<b>Hardware / Metal Parts</b>							
20	Body N/A	73600-2409	1	51	.354 Retainer Black	0801-0604	3				
21	Seat with Gas Cap N/A	3800-6961	1	52	.437 Cap nut Black	0801-0226	11				
22	Wheel, Large	73600-9159	2	53	Screw #8 x 3/4"	0912-8001	14				
23	Driver	73233-2239	2	54	Drive Axle (L - 32.55 inches)	73600-4509	1				
24	Hand Grip, Left	74290-2399	1	55	Fork Axle (L - 8 inches)	73600-4559	1				
25	Wheel Drive	73600-2269	2	56	Rear (L - 8.95 inches)/Front Axle (L 8.95 inches)	73600-4549	2				
26	Hand Grip, Right	73600-2839	1								
27	Axle retainer outside	73600-2379	2	58	Steering Stop	73600-2659	1				
28	Axle retainer inside	73600-2059	2	59	Upper Rod (L - 5 Inches)	73600-4529	1				
29	Hex Bushing with extension	73600-2459	6	60	Lower Rod (L - 8.95 inches)	73600-4519	1				
30	Left Inside Shock N/A	73600-2629	1	61	Screw #10 x 1/2	0801-0255	2				
31	Left Outside Shock N/A	73600-2639	1								

N/A = Not Available

Rev. 12/21/04

**Bold and Underlined parts are to be purchased and installed by Service Centers only. These items may not be sold directly to consumers by Service Centers or Fisher-Price.**