

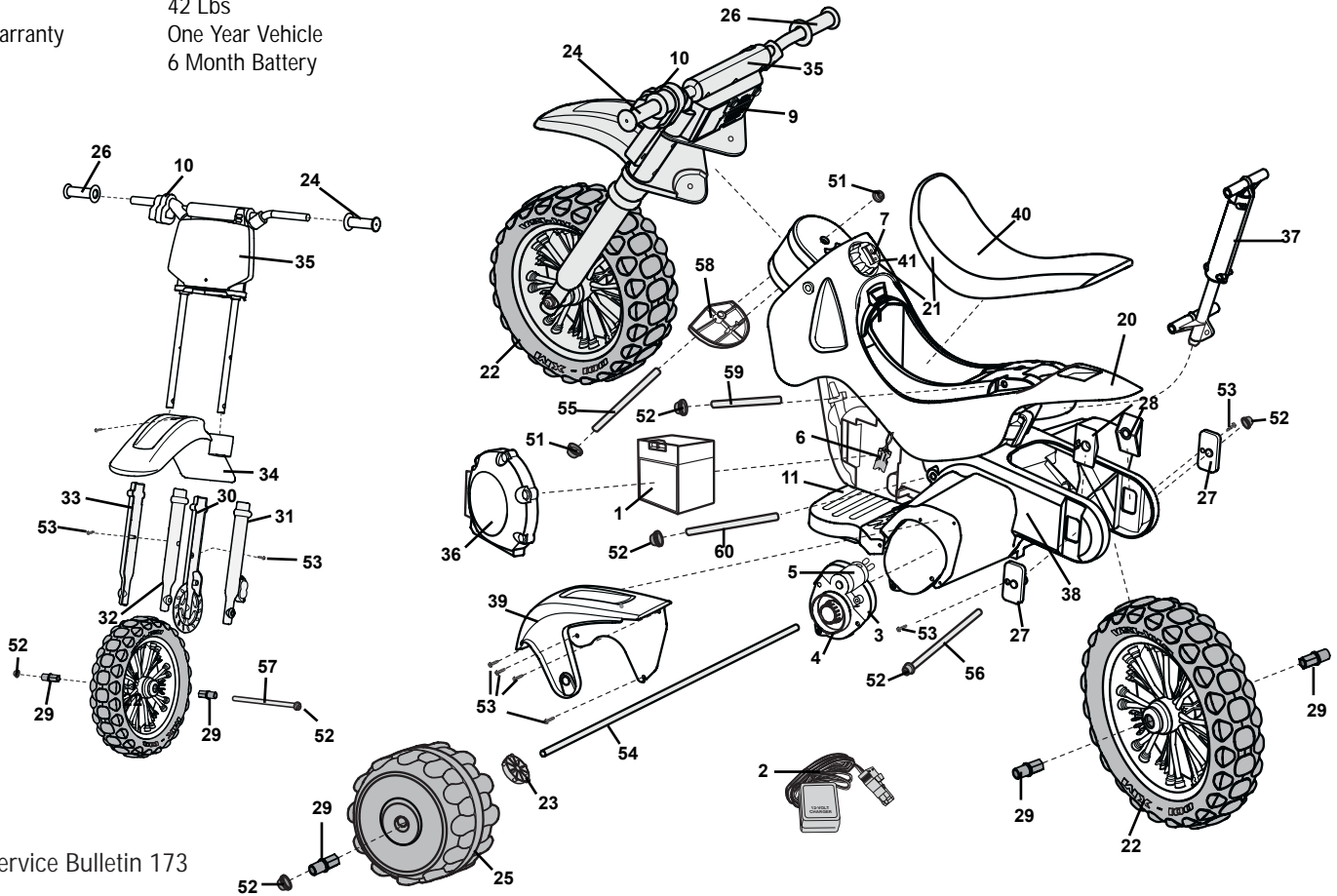
Age Range: 3 to 6 years
 Weight Limit: 65 Lbs
 Surfaces: Hard and grass
 Speed: 2.5/5.0 mph Forward
 2.5 mph Reverse
 Colors: White and Green
 Intro: 2002
 Suggested Retail: \$249.00
 Box Dimensions: 19.5 x 21.5 x 39.75
 42 Lbs
 Warranty: One Year Vehicle
 6 Month Battery



73600-9993

Dirt Bike

Advanced Series 12 Volt



Service Bulletin 173

Item No.	Description	Part No.	Qty.	Item No.	Description	Part No.	Qty.	Item No.	Description	Part No.	Qty.
Working / Electrical Parts				Please Order Shock Parts Bag				Parts Not Shown			
1	Battery	00801-0638	1	32	Right Inside Shock N/A	73600-2669	1		Large Parts Bag	3800-6982	1
2	Charger (Fused w/probe)	00801-0972	1		Please Order Shock Parts Bag				Shock Parts Bag	3800-6960	1
3	Motor Gearbox Assembly	00968-2901	2	33	Right Outside Shock N/A	73600-2679	1		Hardware Bag	73600-9279	1
4	#7 Gearbox W/out Motor	00968-2801	2		Please Order Shock Parts Bag				Owner's Manual	73600-0920	1
5	Motor Pinion Assembly	74290-9539	2	34	Front Fender Assm w/Logo	3800-6794	1		Decal Sheet	73600-0310	1
6	Main Harness Assembly	3800-6975	1	35	Front Fork Assm.	3800-6958	1		PC Board	74287-9729	1
7	Control Switch F/R	00801-1198	1	36	Battery Cover Assm.	3800-6953	1		Foot Switch (Plunger Type)	00801-0933	1
9	Soundbox	73600-9549	1	37	Mono Shock Assm.	3800-6959	1		Left Footboard Assm.	3800-6957	1
10	Turbo Switch assembly	73600-9719	1	38	Frame w/Battery Retainer	73600-9209	1				
11	Right footboard Assm.	3800-6957	1	39	Fender Set (Left and right)	3800-6796	1				
Plastic / Other Parts				40	Seat	73600-2309	1				
20	Body N/A	73600-2409	1	41	Gas Cap	73600-2149	1				
21	Seat with Gas Cap	3800-6961	1	Hardware / Metal Parts							
22	Wheel, Large	73600-9159	2	51	.354 Retainer Black	0801-0604	3				
23	Driver	73233-2239	2	52	.437 Cap nut Black	0801-0226	11				
24	Hand Grip, Left	74290-2399	1	53	Screw #8 x 3/4"	0912-8001	14				
25	Wheel, Drive (rear wheel)	73600-2269	2	54	Drive Axle (L - 32.55 inches)	73600-4509	1				
26	Hand Grip, Right	73600-2839	1	55	Fork Axle (L - 8 inches)	73600-4559	1				
27	Axle retainer outside	73600-2379	2	56	Rear Axle (L - 8.95 inches)	73600-4549	1				
28	Axle retainer inside	73600-2059	2	57	Front Axle (L - 8.95 inches)	73600-4549	1				
29	Hex Bushing with extension	73600-2459	6	58	Steering Stop	73600-2659	1				
30	Left Inside Shock N/A	73600-2629	1	59	Upper Rod (L - 5 Inches)	73600-4529	1				
31	Left Outside Shock N/A	73600-2639	1	60	Lower Rod (L - 8.95 inches)	73600-4519	1				
				61	Screw #10 x 1/2	00801-0255	2				

N/A = Not Available

Rev. 07/08/03

Bold and Underlined parts are to be purchased and installed by Service Centers only. These items may not be sold directly to consumers by Service Centers or Fisher-Price.