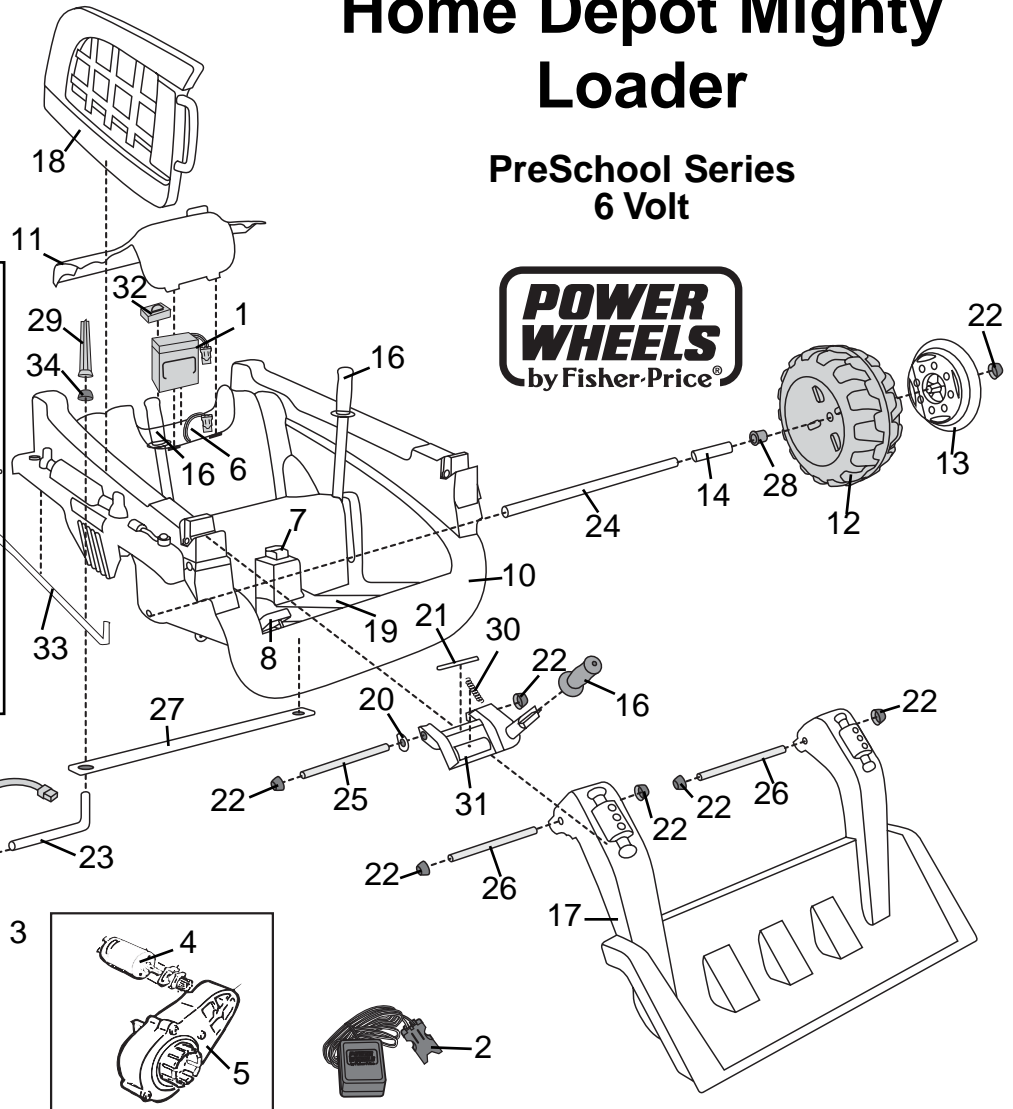
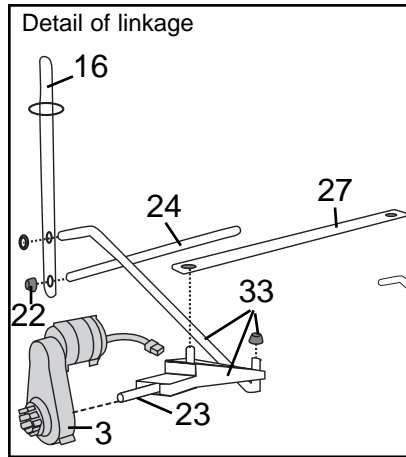


Age Range: 3 and up
 Weight Limit: 65 lbs
 Surfaces: ..Hard and Grass
 Speed: 3.5 forward
 3.5 reverse
 Colors: Orange, Grey and Black
 Intro: 7/30/01
 Suggested Retail: \$169.99
 Box Dimensions: 38 x 15 x 23
 Warranty: One Year Vehicle
 6 Months Battery

73268-9993 Home Depot Mighty Loader

PreSchool Series
6 Volt



Rev. 11/21/03

Item No.	Description	Part No.	Qty.	Item No.	Description	Part No.	Qty.	Item No.	Description	Part No.	Qty.
Working / Electrical Parts				Hardware / Metal Parts				Roll Cage right		73268-9169	1
1	Battery	00801-0712	1	20	Washer 5/16	0801-0253	1				
2	Charger	00801-0973	1	21	Handle Pin	73260-4299	1				
3	Motor Gearbox Assembly	73260-9719	2	22	Retainer .437 Black	0801-0226	14				
4	<u>Gearbox W/out Motor</u>	<u>74550-9279</u>	2	23	Rear Axle	73260-4509	2				
5	<u>#3 Motor Pinion Assembly</u>	<u>00968-1700</u>	2	24	Front Axle	73260-4519	1				
6	<u>Main Harness Assembly</u>	<u>73260-9809</u>	1	25	Handle Axle N/A No sub	73260-4479	1				
7	Control Switch F/R	00801-0885	1	26	Bucket Axle/pin	73260-4289	1				
8	Footboard Assembly N/A	73260-9389	1	27	Crossbar	73260-4129	1				
Plastic / Other Parts				28	7/16" Round Bushing	74550-2689	2				
10	Body	N/A	1	29	Cap Nut Tool	78640-2629	1				
11	Seat back/False Motor Cov	N/A/73260-9489	1	30	Spring	0801-1045	1				
12	Wheel	73260-2459	4	31	Handle	73260-2589	1				
13	Hubcaps	73260-2599	4	32	Battery Retainer	75548-9409	1				
14	Front wheel spacer	73260-2359	2	33	Steering Linkage	4000-0234	2				
15	Driver	74460-2249	2	34	.354 Retainer	0801-0604	2				
16	Hand grip	76950-2159	3	Parts Not Shown							
17	Bucket Assembly N/A	73260-9579	1	Large Parts Bag N/A	73260-9249	1					
18	Roll Cage left N/A	73268-9179	1	Small Parts Bag N/A	73260-9259	1					
19	Center Console	73260-2189	1	Hardware Bag	73260-9269	1					
				Owner's Manual	73268-0920	1					
				Decal Sheet	73268-0310	1					
				Tree Lock Fastener	74310-2199	1					
				<u>Footswitch</u>	<u>00801-0933</u>	<u>1</u>					
				Emblem	74460-9069	1					

N/A = Not Available **Bold and Underlined parts are to be purchased and installed by Service Centers only. These items may not be sold directly to consumers by Service Centers or Fisher-Price.**